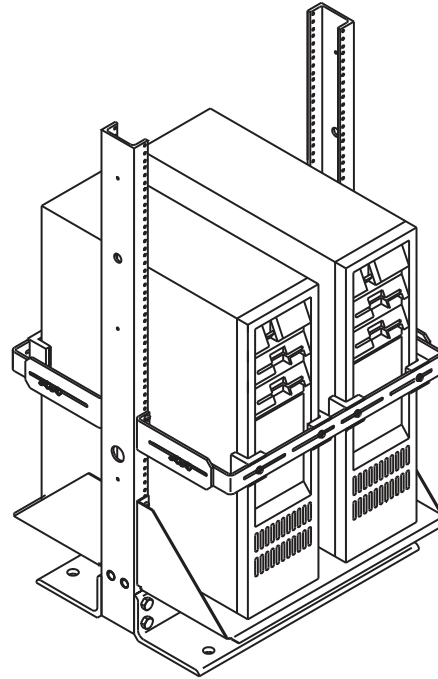


# Product Cut Sheet

## TOWER CPU ADJUSTABLE TIE-DOWN BRACKETS

Protect and secure your valuable shelf mounted equipment with this tie-down bracket.

- Ideal for securing tower CPUs or other similarly shaped equipment from being bumped or moved from seismic activity
- Adjustable padded brackets hold two towers each
- Sold in pairs
- 12086 brackets hold equipment up to 22" D (560 mm)
- 12087 brackets hold equipment up to 27" D (690 mm)
- Mounting hardware not included



Part Number		Color
19" Rack	23" Rack	
12086-119	12086-123	Gray
12086-219	12086-223	White
12086-519	12086-523	Clear
12086-719	12086-723	Black
For 11054 Series 26" D (660 mm) Shelf		
12087-119	12087-123	Gray
12087-219	12087-223	White
12087-519	12087-523	Clear
12087-719	12087-723	Black

800-834-4969 in U.S. & Canada • [www.chatsworth.com](http://www.chatsworth.com)



CHATSWORTH PRODUCTS, INC.

©2012 Chatsworth Products, Inc. All rights reserved. CPI, CPI Passive Cooling, MegaFrame, Saf-T-Grip, Seismic Frame, SlimFrame, TeraFrame, GlobalFrame, Cube-iT Plus, Evolution, OnTrac, QuadraRack and Velocity are federally registered trademarks of Chatsworth Products, Inc. Simply Efficient is a trademark of Chatsworth Products, Inc. All other trademarks belong to their respective companies.