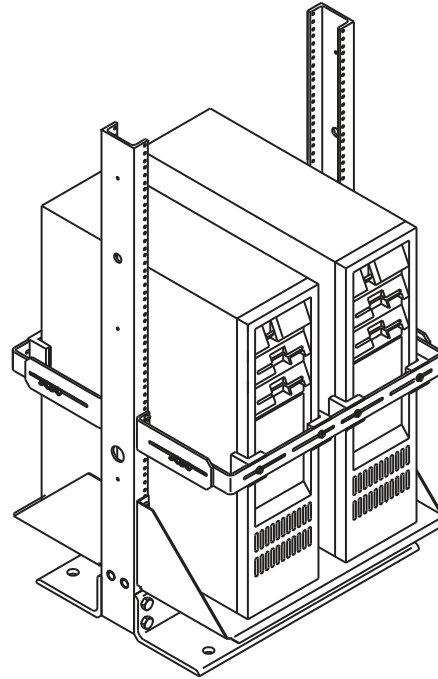


Product Cut Sheet

TOWER CPU ADJUSTABLE TIE-DOWN BRACKETS

Protect and secure your valuable shelf mounted equipment with this tie-down bracket.

- Ideal for securing tower CPUs or other similarly shaped equipment from being bumped or moved from seismic activity
- Adjustable padded brackets hold two towers each
- Sold in pairs
- 12086 brackets hold equipment up to 22" D (560 mm)
- 12087 brackets hold equipment up to 27" D (690 mm)
- Mounting hardware not included



| Part Number | | Color |
|---------------------------------------|-----------|-------|
| 19" Rack | 23" Rack | |
| 12086-119 | 12086-123 | Gray |
| 12086-219 | 12086-223 | White |
| 12086-519 | 12086-523 | Clear |
| 12086-719 | 12086-723 | Black |
| For 11054 Series 26" D (660 mm) Shelf | | |
| 12087-119 | 12087-123 | Gray |
| 12087-219 | 12087-223 | White |
| 12087-519 | 12087-523 | Clear |
| 12087-719 | 12087-723 | Black |

800-834-4969 in U.S. & Canada • www.chatsworth.com



CHATSWORTH PRODUCTS, INC.

©2012 Chatsworth Products, Inc. All rights reserved. CPI, CPI Passive Cooling, MegaFrame, Saf-T-Grip, Seismic Frame, SlimFrame, TeraFrame, GlobalFrame, Cube-iT Plus, Evolution, OnTrac, QuadraRack and Velocity are federally registered trademarks of Chatsworth Products, Inc. Simply Efficient is a trademark of Chatsworth Products, Inc. All other trademarks belong to their respective companies.