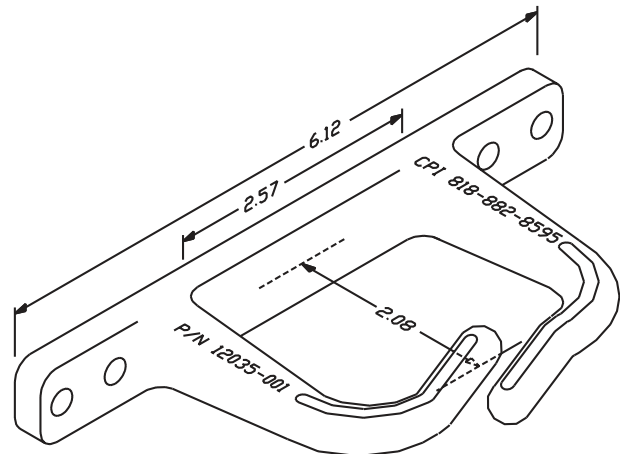
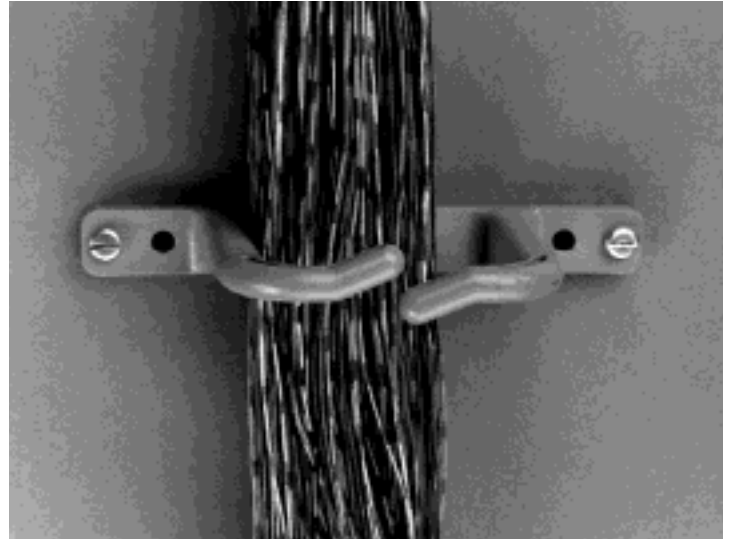


# Product Information Sheet

## OPEN COMPOSITE DISTRIBUTION RING

Supports cable and wire in communication closets, on backboards, equipment racks or wherever cable runs are required. These rings are made of high-strength, fire-retardant material with rounded edges to prevent damage to cable and wire insulation while providing easy pull-through. Mounting hole configuration allows rings to be attached to most surfaces including our equipment racks. The open designed "C" rings allow for easy adds, moves and changes, eliminating the need to feed through cable. Mounting hardware not included.

- Organizes equipment wiring and cabling
- Strong, lightweight composite construction
- Eliminates cable nicks, great for wire pulling
- Split ring style allows easy additions or changes to cable runs
- Molded of fire-retardant material



Part Number	Description / Color	Shipping Weight
12035-001	2" W open "C" ring, Gray	1 lb
12035-011	Carton of 100	6 lb

800-834-4969 in US & Canada • [www.chatsworth.com](http://www.chatsworth.com)