

# Product Cut Sheet

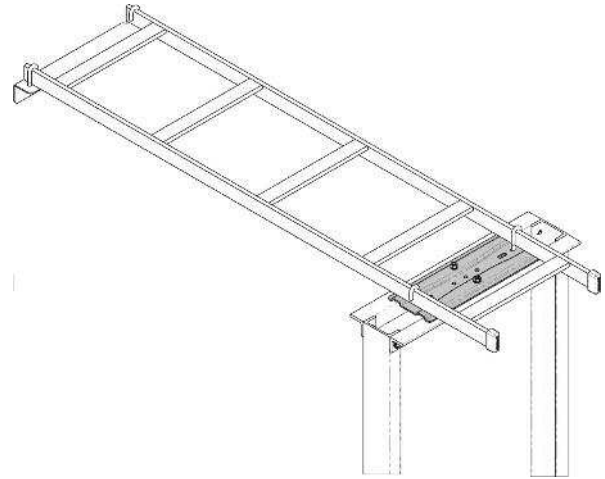
## CABLE RUNWAY WALL TO RACK KIT

The CPI Cable Runway Wall To Rack Kit is a one part number solution to the problem of providing support for cable between the rack and the wall.

**Kit consists of:**

- (1) 4' 6"L/54" (1370 mm) Universal Cable Runway
- (1) Wall angle support bracket
- (1) Rack to runway mounting plate
- (1) Pair of end caps
- (6) J-bolts

*Note: The kit is available with runway that is 6", 9" or 12"W (150 mm, 230 mm or 300 mm). Rack is not included.*



Rack Not Included

Part Number	Description	Shipping Weight lb (kg)
<b>Standard/Universal Racks with 3"D (80 mm) Mounting Channels Width - in (mm)</b>		
11911-X06	6 (150) Cable Runway Wall to Rack Kit	24 (10.9)
11911-X09	9 (230) Cable Runway Wall to Rack Kit	28 (12.7)
11911-X12	12 (300) Cable Runway Wall to Rack Kit	32 (14.5)
<b>Standard Rack with 6"D (150 mm) Mounting Channels Width - in (mm)</b>		
31473-X06	6 (150) Cable Runway Wall to Rack Kit	17 (7.7)
31473-X09	9 (230) Cable Runway Wall to Rack Kit	19 (8.6)
31473-X12	12 (300) Cable Runway Wall to Rack Kit	24 (10.9)

*X=color: Gold (-0), Computer Beige (-2) and Glacier White (-E) kits have gold colored hardware. Gray (-1) and Black (-7) kits have black colored hardware.*

800-834-4969 in U.S. & Canada • [www.chatsworth.com](http://www.chatsworth.com)



**CHATSWORTH PRODUCTS**

©2013 Chatsworth Products, Inc. All rights reserved. CPI, CPI Passive Cooling, GlobalFrame, MegaFrame, Saf-T-Grip, Seismic Frame, SlimFrame, TeraFrame, Cube-IT Plus, Evolution, OnTrac, Velocity and QuadraRack are federally registered trademarks of Chatsworth Products. eConnect and Simply Efficient are trademarks of Chatsworth Products. All other trademarks belong to their respective companies. 6/13