

Product Cut Sheet

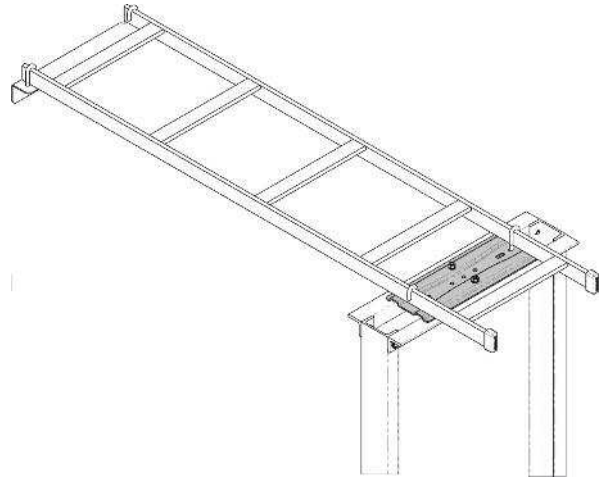
CABLE RUNWAY WALL TO RACK KIT

The CPI Cable Runway Wall To Rack Kit is a one part number solution to the problem of providing support for cable between the rack and the wall.

Kit consists of:

- (1) 4' 6"L/54" (1370 mm) Universal Cable Runway
- (1) Wall angle support bracket
- (1) Rack to runway mounting plate
- (1) Pair of end caps
- (6) J-bolts

Note: The kit is available with runway that is 6", 9" or 12"W (150 mm, 230 mm or 300 mm). Rack is not included.



Rack Not Included

Part Number	Description	Shipping Weight lb (kg)
Standard/Universal Racks with 3"D (80 mm) Mounting Channels Width - in (mm)		
11911-X06	6 (150) Cable Runway Wall to Rack Kit	24 (10.9)
11911-X09	9 (230) Cable Runway Wall to Rack Kit	28 (12.7)
11911-X12	12 (300) Cable Runway Wall to Rack Kit	32 (14.5)
Standard Rack with 6"D (150 mm) Mounting Channels Width - in (mm)		
31473-X06	6 (150) Cable Runway Wall to Rack Kit	17 (7.7)
31473-X09	9 (230) Cable Runway Wall to Rack Kit	19 (8.6)
31473-X12	12 (300) Cable Runway Wall to Rack Kit	24 (10.9)

X=color: Gold (-0), Computer Beige (-2) and Glacier White (-E) kits have gold colored hardware. Gray (-1) and Black (-7) kits have black colored hardware.

800-834-4969 in U.S. & Canada • www.chatsworth.com



CHATSWORTH PRODUCTS

©2013 Chatsworth Products, Inc. All rights reserved. CPI, CPI Passive Cooling, GlobalFrame, MegaFrame, Saf-T-Grip, Seismic Frame, SlimFrame, TeraFrame, Cube-IT Plus, Evolution, OnTrac, Velocity and QuadraRack are federally registered trademarks of Chatsworth Products. eConnect and Simply Efficient are trademarks of Chatsworth Products. All other trademarks belong to their respective companies. 6/13