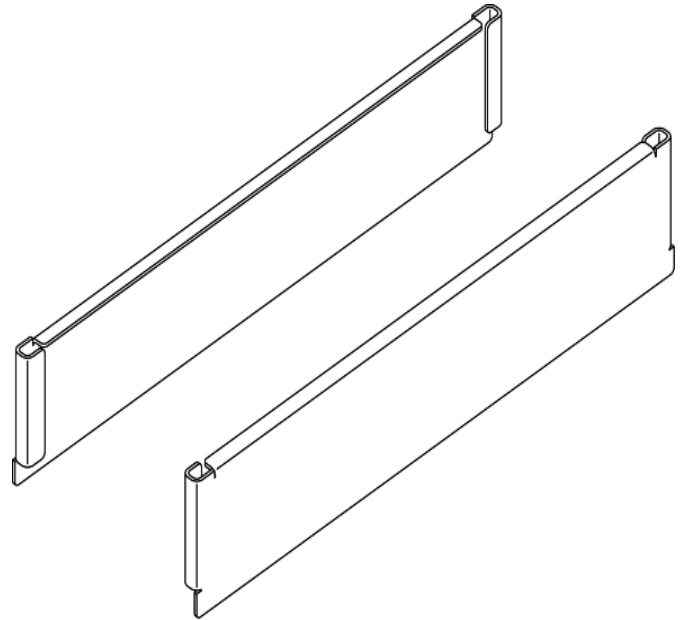


# Product Cut Sheet

## SLIP-ON COVER, RING PANEL

The Slip-On Cover is used on the Large Horizontal Ring Panel, P/N 11564-XXX. Sold individually.



Part Number	Description	Finish	Shipping Weight
11764-119	Slip-On Cover	Gray	1 lb
11764-119	Slip-On Cover	White	1 lb
11764-119	Slip-On Cover	Clear	1 lb
11764-119	Slip-On Cover	Black	1 lb

800-834-4969 in U.S. & Canada • [www.chatsworth.com](http://www.chatsworth.com)



**CHATSWORTH PRODUCTS, INC.**

©2010 Chatsworth Products, Inc. All rights reserved. CPI, CPI Passive Cooling, MegaFrame, Saf-T-Grip, Seismic Frame, SlimFrame, TeraFrame, Cube-IT Plus, Evolution, OnTrac, and QuadraRack are federally registered trademarks of Chatsworth Products, Inc. GlobalFrame, Simply Efficient and Velocity are trademarks of Chatsworth Products, Inc. All other trademarks belong to their respective companies. 12/10