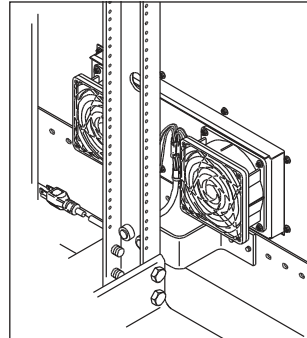


Product Cut Sheet

STANDARD SIDE-MOUNTED ENCLOSURE FAN KIT

Operating Voltage:	115 VAC
Airflow (Nominal):	400 CFM
Noise Level (1 Meter Max):	42 dBA
Power Consumption (Nominal):	15 Watts
Operating Current (Nominal):	0.19 AMP
Operating Frequency (Nominal):	50/60 Hz
Operating Temperature:	-20°C / -80°C
Cord Length:	5' (1.5 m)
Life Expectancy:	60,000 hrs
Approvals:	ROHS & UL



P/N 11755-001
Standard side-mounted enclosure fan kit includes
(2) complete fan assemblies with an
attached cord with NEMA 5-15P plug.

Air is drawn in through the louvers at the bottom of the enclosure and is forced out through the top louvers. Fans pressurize enclosure, forcing warmer air out top vents.

Includes (2) complete fan assemblies with and attached 5'L (1.5 m) power cord with a NEMA 5-15P Plug.

Fan & Filter Assembly	
11755-001	Fan Kit for Single Rack Enclosures; 400 CFM, 115 VAC, 50/60 Hz, 0.19 Amp, NEMA 5-15P Plug, Components are UL & ROHS approved
11222-001	Replacement Filter Kit

800-834-4969 in U.S. & Canada • www.chatsworth.com



CHATSWORTH PRODUCTS, INC.

©2010 Chatsworth Products, Inc. All rights reserved. CPI, CPI Passive Cooling, MegaFrame, Saf-T-Grip, Seismic Frame, SlimFrame, TeraFrame, Cube-iT Plus, Evolution, OnTrac, and QuadraRack are federally registered trademarks of Chatsworth Products, Inc. GlobalFrame, Simply Efficient and Velocity are trademarks of Chatsworth Products, Inc. All other trademarks belong to their respective companies. 12/10