

Product Cut Sheet

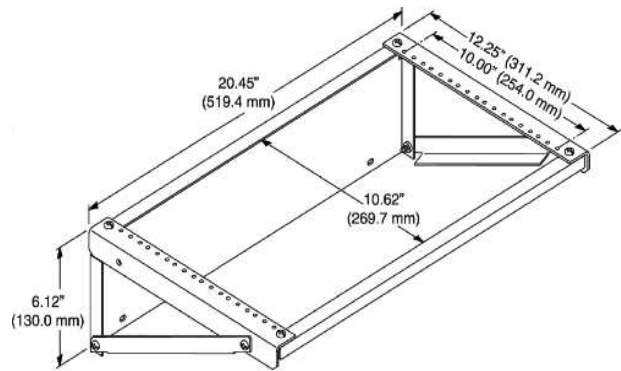
EXTRA-CAPACITY, FLUSH MOUNTED WALL BRACKET

This rack is used to mount up to 6U of rack-mount equipment flush to the wall. Ideal for small or tight spaced installations. Supports 150 lb (68 kg). Mounting hardware not included. Made of strong, lightweight aluminum.



Part Number	Description H x W (in)
11754-X19	6U x 19 Wall Bracket

X=color: 1=Gray, 2=Computer Beige, 5=Clear, 7=Black, E=Glacier White.



800-834-4969 in U.S. & Canada • www.chatsworth.com



CHATSWORTH PRODUCTS

©2013 Chatsworth Products, Inc. All rights reserved. CPI, CPI Passive Cooling, GlobalFrame, MegaFrame, Saf-T-Grip, Seismic Frame, SlimFrame, TeraFrame, Cube-IT Plus, Evolution, OnTrac, Velocity and QuadraRack are federally registered trademarks of Chatsworth Products. eConnect and Simply Efficient are trademarks of Chatsworth Products. All other trademarks belong to their respective companies. 6/13