

# Product Cut Sheet

## SINGLE-SIDED NARROW VERTICAL CABLING SECTIONS

Provides convenient cable run between equipment racks.  
Conceals cable for a more attractive installation.

- Bolts to CPI Standard Rack, Universal Rack, QuadraRack 4-Post Frame and QuadraRack Server Frame
- Includes formed cabling section, lockable cabling latches - 12" (300 mm) between latches, protective edge guards and mounting hardware
- 3.65"W x 6.38"D (92.7 mm x 162.1 mm); single-sided cable trough
- 9' (2.7 m) version consists of a 7' (2.1 m) section and 2' (0.6 m) extension

|              |  |  |
|--------------|--|--|
| <b>11730</b> | <b>Cabling Section, Single-Sided, Narrow</b> |  |
|              | <b>Color</b>                                 |  |
| 1            | Gray   |  |
| 2            | Computer Beige                               |  |
| 5            | Clear  |  |
| 7            | Black  |  |
| E            | Glacier White                                |  |
|              | <b>Height - ft (m)</b>                       |  |
| 00           | 5.6 (1.7)                                    |  |
| 01           | 6 (1.8)                                      |  |
| 02           | 6.6 (2.0)                                    |  |
| 03           | 7 (2.1)                                      |  |
| 05           | 7.6 (2.3)                                    |  |
| 15           | 8 (2.4)                                      |  |
| 08           | 9 (2.7)                                      |  |

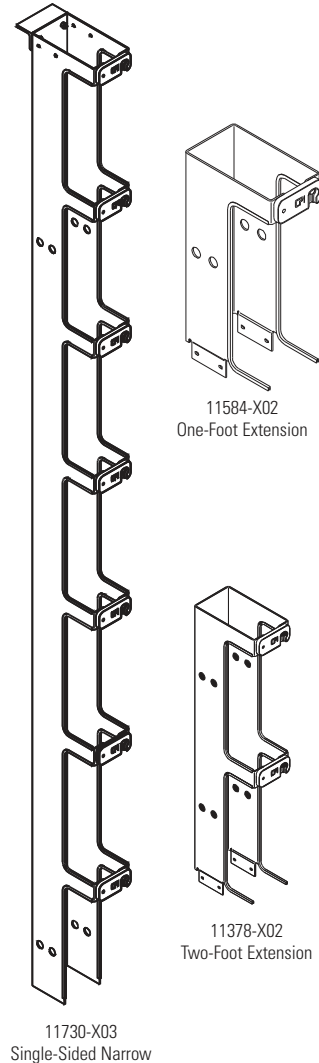
11730 - X XX

### Single-Sided Narrow Vertical Cabling Section Extensions

Adds one or two feet of height to vertical cabling sections, providing a uniform vertical pathway from ceiling to rack. Mounting hardware included.

| Part Number | Description<br>W x D<br>in (mm)                  | Shipping Weight<br>lb (kg) |
|-------------|--|----------------------------|
| 11584-X02   | One-Foot Extension<br>3.65 x 6.38 (92.7 x 162.1) | 3 (1.4)                    |
| 11378-X02   | Two-Foot Extension<br>3.65 x 6.38 (92.7 x 162.1) | 4 (1.8)                    |

X=color: 1=Gray, 2=Computer Beige, 5=Clear, 7=Black, E=Glacier White.



800-834-4969 in U.S. & Canada • [www.chatsworth.com](http://www.chatsworth.com)



©2013 Chatsworth Products, Inc. All rights reserved. CPI, CPI Passive Cooling, GlobalFrame, MegaFrame, Saf-T-Grip, Seismic Frame, SlimFrame, TeraFrame, Cube-iT Plus, Evolution, OnTrac, Velocity and QuadraRack are federally registered trademarks of Chatsworth Products. eConnect and Simply Efficient are trademarks of Chatsworth Products. All other trademarks belong to their respective companies. 07/13