

Product Cut Sheet

SINGLE-SIDED NARROW VERTICAL CABLING SECTIONS

Provides convenient cable run between equipment racks.
Conceals cable for a more attractive installation.

- Bolts to CPI Standard Rack, Universal Rack, QuadraRack 4-Post Frame and QuadraRack Server Frame
- Includes formed cabling section, lockable cabling latches - 12" (300 mm) between latches, protective edge guards and mounting hardware
- 3.65"W x 6.38"D (92.7 mm x 162.1 mm); single-sided cable trough
- 9' (2.7 m) version consists of a 7' (2.1 m) section and 2' (0.6 m) extension

| | | |
|--------------|--|--|
| 11730 | Cabling Section, Single-Sided, Narrow | |
| | Color | |
| 1 | Gray | |
| 2 | Computer Beige | |
| 5 | Clear | |
| 7 | Black | |
| E | Glacier White | |
| | Height - ft (m) | |
| 00 | 5.6 (1.7) | |
| 01 | 6 (1.8) | |
| 02 | 6.6 (2.0) | |
| 03 | 7 (2.1) | |
| 05 | 7.6 (2.3) | |
| 15 | 8 (2.4) | |
| 08 | 9 (2.7) | |

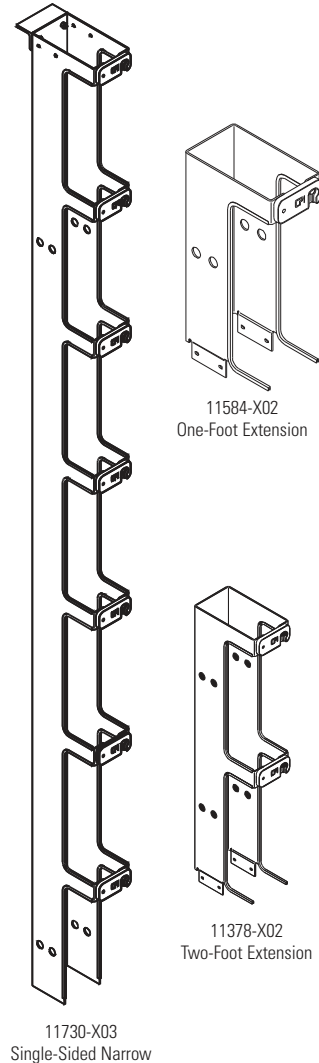
11730 - X XX

Single-Sided Narrow Vertical Cabling Section Extensions

Adds one or two feet of height to vertical cabling sections, providing a uniform vertical pathway from ceiling to rack. Mounting hardware included.

| Part Number | Description W x D in (mm) | Shipping Weight lb (kg) |
|-------------|--|----------------------------|
| 11584-X02 | One-Foot Extension 3.65 x 6.38 (92.7 x 162.1) | 3 (1.4) |
| 11378-X02 | Two-Foot Extension 3.65 x 6.38 (92.7 x 162.1) | 4 (1.8) |

X=color: 1=Gray, 2=Computer Beige, 5=Clear, 7=Black, E=Glacier White.



800-834-4969 in U.S. & Canada • www.chatsworth.com