

Product Cut Sheet

SINGLE-SIDED NARROW VERTICAL CABLING SECTIONS

Provides convenient cable run between equipment racks.
Conceals cable for a more attractive installation.

- Bolts to CPI Standard Rack, Universal Rack, QuadraRack 4-Post Frame and QuadraRack Server Frame
- Includes formed cabling section, lockable cabling latches - 12" (300 mm) between latches, protective edge guards and mounting hardware
- 3.65"W x 6.38"D (92.7 mm x 162.1 mm); single-sided cable trough
- 9' (2.7 m) version consists of a 7' (2.1 m) section and 2' (0.6 m) extension

11730	Cabling Section, Single-Sided, Narrow	
Color		
1	Gray	
2	Computer Beige	
5	Clear	
7	Black	
E	Glacier White	
Height - ft (m)		
00	5.6 (1.7)	
01	6 (1.8)	
02	6.6 (2.0)	
03	7 (2.1)	
05	7.6 (2.3)	
15	8 (2.4)	
08	9 (2.7)	

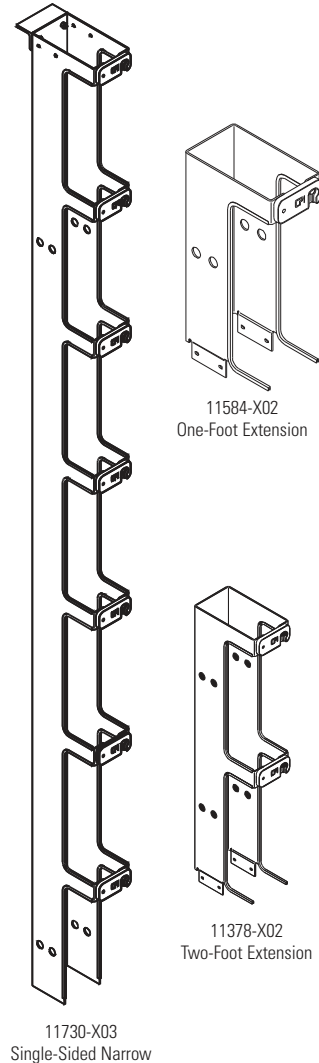
11730 - X XX

Single-Sided Narrow Vertical Cabling Section Extensions

Adds one or two feet of height to vertical cabling sections, providing a uniform vertical pathway from ceiling to rack. Mounting hardware included.

Part Number	Description W x D in (mm)	Shipping Weight lb (kg)
11584-X02	One-Foot Extension 3.65 x 6.38 (92.7 x 162.1)	3 (1.4)
11378-X02	Two-Foot Extension 3.65 x 6.38 (92.7 x 162.1)	4 (1.8)

X=color: 1=Gray, 2=Computer Beige, 5=Clear, 7=Black, E=Glacier White.



800-834-4969 in U.S. & Canada • www.chatsworth.com