

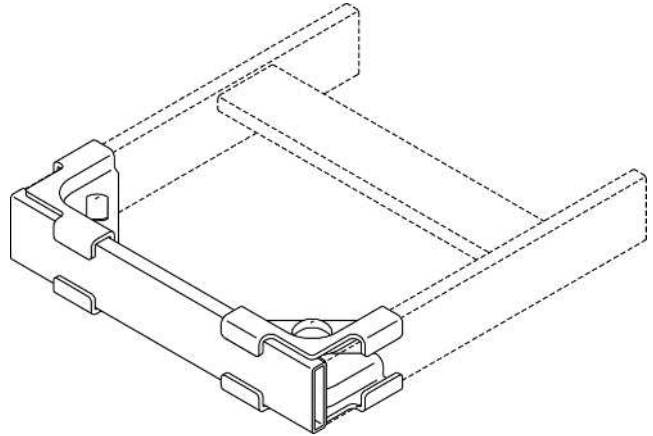
Product Cut Sheet

END CLOSING KIT, CABLE RUNWAY

Used to close an unspliced end of Cable Runway. Made of 3/8" x 1-1/2" x .065" (9.53 mm x 38 mm x 1.65 mm) thick rectangular steel tubing.

Kit consists of:

- (1) end closing bar
- (4) corner clamp plates
- (2) 3/8-16 x 1 3/8" trimmed round head square neck bolts
- (2) 3/8-16 hex nuts



Gold and white kits include gold color hardware, Gray and black kits include black color hardware.

| Part Number | Description | Width in (mm) |
|-------------|-------------------------------|---------------|
| 11700-X04 | End Closing Kit, Cable Runway | 4 (100) |
| 11700-X05 | End Closing Kit, Cable Runway | 5 (130) |
| 11700-X06 | End Closing Kit, Cable Runway | 6 (150) |
| 11700-X09 | End Closing Kit, Cable Runway | 9 (230) |
| 11700-X12 | End Closing Kit, Cable Runway | 12 (300) |
| 11700-X15 | End Closing Kit, Cable Runway | 15 (380) |
| 11700-X18 | End Closing Kit, Cable Runway | 18 (460) |
| 11700-X20 | End Closing Kit, Cable Runway | 20 (510) |
| 11700-X24 | End Closing Kit, Cable Runway | 24 (610) |

*X=*color: Gold (-0), Computer Beige (-2) and Glacier White (-E) kits have gold colored hardware. Gray (-1) and Black (-7) kits have black colored hardware.

800-834-4969 in U.S. & Canada • www.chatsworth.com



CHATSWORTH PRODUCTS

©2013 Chatsworth Products, Inc. All rights reserved. CPI, CPI Passive Cooling, GlobalFrame, MegaFrame, Saf-T-Grip, Seismic Frame, SlimFrame, TeraFrame, Cube-IT Plus, Evolution, OnTrac, Velocity and QuadraRack are federally registered trademarks of Chatsworth Products. eConnect and Simply Efficient are trademarks of Chatsworth Products. All other trademarks belong to their respective companies. 6/13