

# Product Cut Sheet

## RACK SEISMIC GUSSET KIT

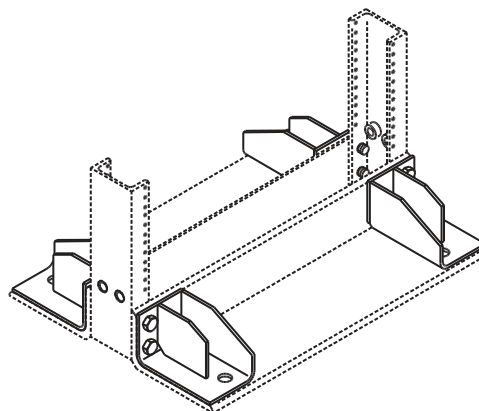
Gusset kit can be added to any CPI Universal rack to stiffen critical load-supporting joints. Whenever possible the top of the rack should be stabilized using CPI Bracing Kit (P/N 10562-001).

- Adds additional support to critical rack joints
- Kit can be added to any CPI universal (46XXX series) rack

**Gusset kit includes:**

- 4 each welded steel bolt-on gussets
- 8 each 1/2-13 x 1-1/4" bolts
- 8 each 1/2-13 nuts

**NOTE:** Seismic installation requirements should be approved by a licensed structural engineer.



Part Number	Color	Shipping Weight
11592-101	Gusset Kit, Gray	10 lb
11592-201	Gusset Kit, White	10 lb
11592-701	Gusset Kit, Black	10 lb

800-834-4969 in U.S. & Canada • [www.chatsworth.com](http://www.chatsworth.com)



**CHATSWORTH PRODUCTS, INC.**

©2010 Chatsworth Products, Inc. All rights reserved. CPI, CPI Passive Cooling, MegaFrame, Saf-T-Grip, Seismic Frame, SlimFrame, TeraFrame, Cube-iT Plus, Evolution, OnTrac, and QuadraRack are federally registered trademarks of Chatsworth Products, Inc. GlobalFrame, Simply Efficient and Velocity are trademarks of Chatsworth Products, Inc. All other trademarks belong to their respective companies. 12/10