

Product Cut Sheet

19" SMALL 110D BLOCK MOUNTING PANELS

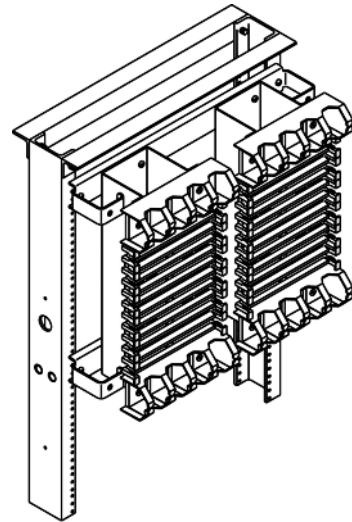
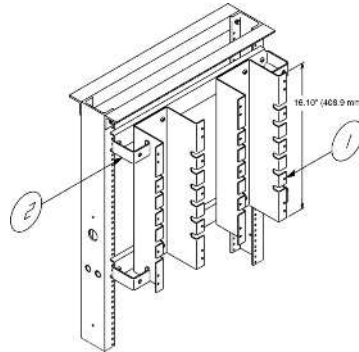
Used for easy and space-saving mounting of standard 110D Type Wiring Blocks (not included).

- Wall, backboard and 19"W rack mountable
- Combinations of up to 600 pairs in two columns of 300 pair can be mounted per kit
- Assembly hardware included

Drawing Callouts:

- 1 Support Trough
- 2 Horizontal Support Bar/Cable Manager

- 11589 Kit consists of:
 - 2 each Support Trough
 - 2 each Horizontal Support Bar/Cable Manager
 - Assembly hardware included



Part Number	Description	Shipping Weight lb (kg)
11589-X19	19" Small 110D Block Mounting Panels	8 (5.4)

X=Color: 1=Gray, 2=Computer Beige, 5=Clear, 7=Black, E=Glacier White

Purchase the following item separately from CPI:

CPI 19" Universal (P/N 46353-X03)
Standard Rack (P/N 55053-X03)
6" Deep High Density Frame (P/N 66356-X03)

Purchase the following items separately

(not available from CPI):
110D Type Wiring Blocks
Horizontal Trough
Mounting Rivet Kit for blocks and trough

800-834-4969 in U.S. & Canada • www.chatsworth.com



CHATSWORTH PRODUCTS

©2013 Chatsworth Products, Inc. All rights reserved. CPI, CPI Passive Cooling, GlobalFrame, MegaFrame, Saf-T-Grip, Seismic Frame, SlimFrame, TeraFrame, Cube-IT Plus, Evolution, OnTrac, Velocity and QuadraRack are federally registered trademarks of Chatsworth Products. eConnect and Simply Efficient are trademarks of Chatsworth Products. All other trademarks belong to their respective companies. 6/13