

Product Cut Sheet

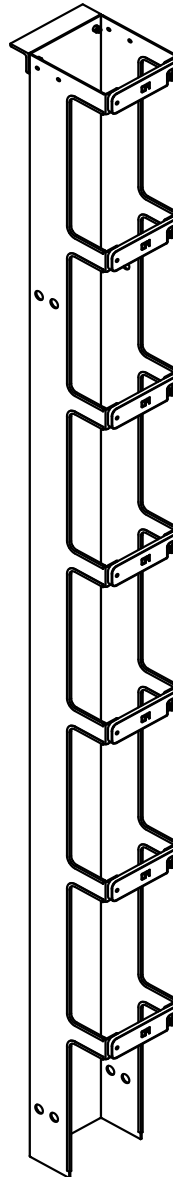
SINGLE-SIDED WIDE VERTICAL CABLING SECTION

Provides convenient cable run between equipment racks.
Conceals cable for a more attractive installation.

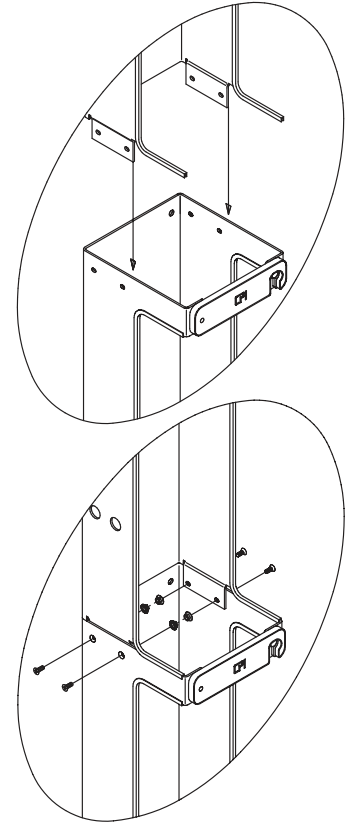
- Bolts to CPI Standard Rack, Universal Rack, QuadraRack® 4-Post Frame and QuadraRack Server Frame
- Includes formed cabling section, lockable cabling latches spaced 12" (300 mm) apart, protective edge guards and mounting hardware
- 6"W x 6.38"D (150 mm x 162.1 mm); single-sided cable trough
- 9' (2.7 m) version consists of 7' (2.1 m) section with a 2' (0.6 m) extension

| 11374 Cabling Section, Single-Sided, Wide | |
|---|----------------|
| Color | |
| 1 | Gray |
| 2 | Computer Beige |
| 5 | Clear |
| 7 | Black |
| E | Glacier White |
| Height | |
| 00 | 5' 6" (1.7 m) |
| 01 | 6' (1.8 m) |
| 02 | 6' 6" (2.0 m) |
| 03 | 7' (2.1 m) |
| 05 | 7' 6" (2.3 m) |
| 15 | 8' (2.4 m) |
| 08 | 9' (2.7 m) |

| | | | |
|-------|---|---|----|
| 11374 | - | X | XX |
|-------|---|---|----|



11374-503
Single-Sided Wide



Extension Installation

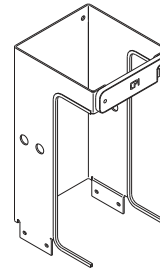
Single-Sided Wide Vertical Cabling Section Extensions

Adds one or two feet of height to vertical cabling sections, providing a uniform vertical pathway from ceiling to rack.

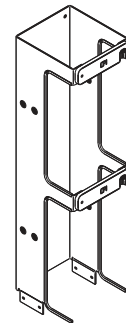
- Mounting hardware included.

| Part Number | Description W x D in (mm) | Shipping Weight lb (kg) |
|-------------|--|-------------------------------|
| 11584-X01 | One-Foot Extension 6 x 6.38 (150 x 162.1) | 3 (1.4) |
| 11378-X01 | Two-Foot Extension 6 x 6.38 (150 x 162.1) | 4 (1.8) |

X=color: 1=Gray, 2=Computer Beige, 5=Clear, 7=Black, E=Glacier White.



11584-X01
One-Foot Extension



11378-X01
Two-Foot Extension

800-834-4969 in U.S. & Canada • www.chatsworth.com



CHATSWORTH PRODUCTS

©2013 Chatsworth Products, Inc. All rights reserved. CPI, CPI Passive Cooling, GlobalFrame, MegaFrame, Saf-T-Grip, Seismic Frame, SlimFrame, TeraFrame, Cube-IT Plus, Evolution, OnTrac, Velocity and QuadraRack are federally registered trademarks of Chatsworth Products. eConnect and Simply Efficient are trademarks of Chatsworth Products. All other trademarks belong to their respective companies. 07/13