

Product Cut Sheet

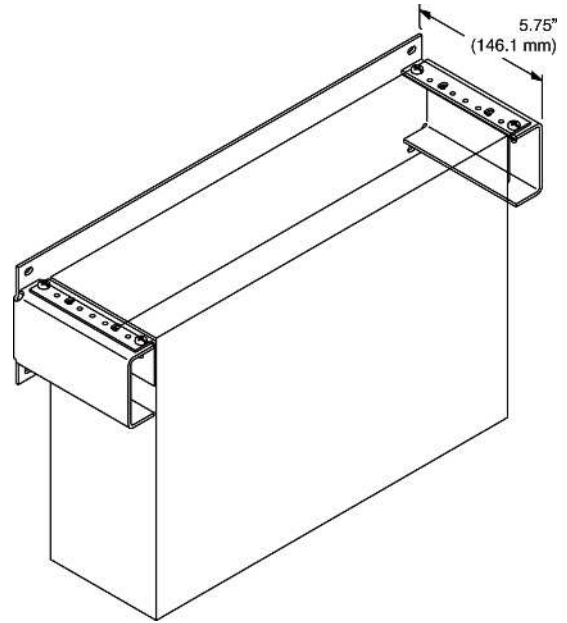
FLUSH MOUNTED WALL BRACKET

This bracket makes it easy to mount up to three (3 RMU) piece of rack-mount equipment (1U=1.75", 44.45 mm) flush to a wall. Ideal for small or tight spaced installations. Mounting hardware not included.

Made of strong, lightweight aluminum.

- Supports up to 75 lb (34 kg)
- Bracket Weight, 2 lb (0.9 kg)

Note: This wall bracket is not rack-mountable.



Part Number	Description
11583-X19	Flush Mounted Wall Bracket, For 19" Rack
11583-X23	Flush Mounted Wall Bracket, For 23" Rack

X=color: 1=Gray, 2=Computer Beige, 5=Clear, 7=Black, E=Glacier White

800-834-4969 in U.S. & Canada • www.chatsworth.com



While every effort has been made to ensure the accuracy of all information, CPI does not accept liability for any errors or omissions and reserves the right to change information and descriptions of listed services and products.

©2014 Chatsworth Products, Inc. All rights reserved. Chatsworth Products, CPI, CPI Passive Cooling, eConnect, MegaFrame, Saf-T-Grip, Seismic Frame, SlimFrame, TeraFrame, GlobalFrame, Cube-iT Plus, Evolution, OnTrac, QuadraRack and Velocity are federally registered trademarks of Chatsworth Products. Simply Efficient is a trademark of Chatsworth Products. All other trademarks belong to their respective companies. 05/14