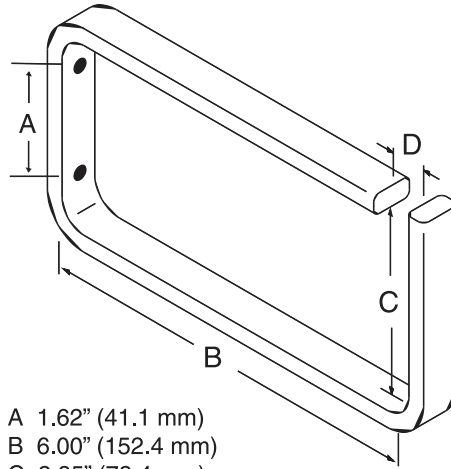


# Product Cut Sheet

## LARGE HORIZONTAL CABLE RING

This is the same ring used on our Large Horizontal Ring Panel series 11564. Sold individually and in quantities of 50.

- Provides horizontal cable management on wall
- 2.8" H x 6" W (71 mm x 150 mm) heavy duty aluminum rings
- Rounded edges protect cable sheaths



A 1.62" (41.1 mm)  
B 6.00" (152.4 mm)  
C 2.85" (72.4 mm)  
D 0.56" (14.2 mm)

Part Number		Description	Shipping Weight lb (kg)
Each	Box of 50		
11563-X01	11563-X50	Cable Ring	19 (8.6)

X=color: 1=Gray, 2=Computer Beige, 5=Clear, 7=Black, E=Glacier White.

800-834-4969 in U.S. & Canada • [www.chatsworth.com](http://www.chatsworth.com)



CHATSWORTH PRODUCTS

©2013 Chatsworth Products, Inc. All rights reserved. CPI, CPI Passive Cooling, GlobalFrame, MegaFrame, Saf-T-Grip, Seismic Frame, SlimFrame, TeraFrame, Cube-iT Plus, Evolution, OnTrac, Velocity and QuadraRack are federally registered trademarks of Chatsworth Products. eConnect and Simply Efficient are trademarks of Chatsworth Products. All other trademarks belong to their respective companies. 07/13