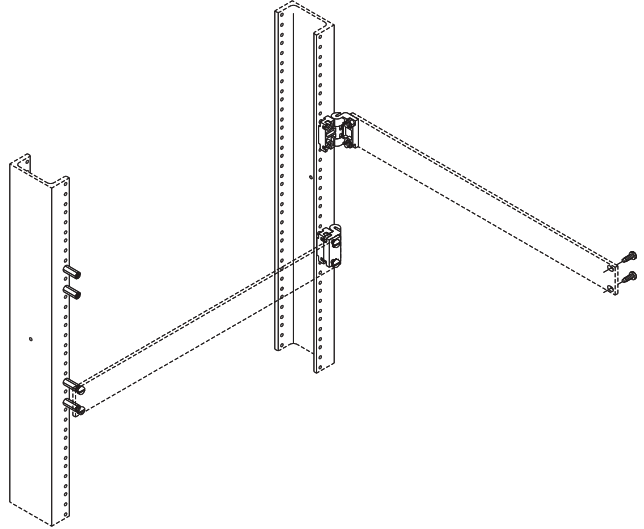


# Product Cut Sheet

## PANEL HINGES

Versatile 1.75" H rack mounting hinges provide rear access to patch panels or other shallow equipment by allowing them to swing outward. Made from high strength black composite material.

- Supports up to 30 lb per pair
- Sold in pairs with mounting hardware included



Part Number	Description	Shipping Weight
11520-001	Hinges, Pair	1 lb

800-834-4969 in U.S. & Canada • [www.chatsworth.com](http://www.chatsworth.com)



CHATSWORTH PRODUCTS, INC.

©2010 Chatsworth Products, Inc. All rights reserved. CPI, CPI Passive Cooling, MegaFrame, Saf-T-Grip, Seismic Frame, SlimFrame, TeraFrame, Cube-IT Plus, Evolution, OnTrac, and QuadraRack are federally registered trademarks of Chatsworth Products, Inc. GlobalFrame, Simply Efficient and Velocity are trademarks of Chatsworth Products, Inc. All other trademarks belong to their respective companies. 12/10