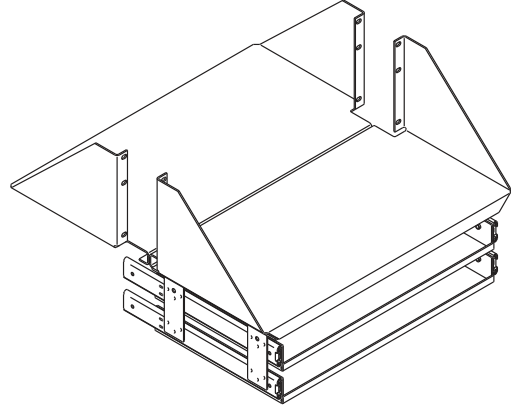


# Product Cut Sheet

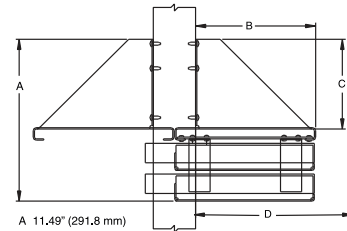
## CPU/MONITOR SHELF WITH DOUBLE SLIDING KEYBOARD TRAYS

Similar to 11487 series except holds two keyboards.

- Made of .090 aluminum. Mounting hardware not included
- Shelf is 20" deep by 11.2" high and holds up to 200 lb
- Keyboard tray extends 8.6"
- Shipping weight approximately 16 lb
- 19" wide rack trays must use small footprint keyboard (maximum width 16.30")



Part Number			Color
19" Rack	23" Rack	25" Rack	
11488-119	11488-123	11488-125	Gray
11488-219	11488-223	11488-225	White
11488-519	11488-523	11488-525	Clear
11488-719	11488-723	11488-725	Black



- A 11.49" (291.8 mm)
- B 8.53" (216.7 mm)
- C 6.37" (161.8 mm)
- D 17.12" (434.8 mm)

800-834-4969 in U.S. & Canada • [www.chatsworth.com](http://www.chatsworth.com)



CHATSWORTH PRODUCTS, INC.

©2010 Chatsworth Products, Inc. All rights reserved. CPI, CPI Passive Cooling, MegaFrame, Saf-T-Grip, Seismic Frame, SlimFrame, TeraFrame, Cube-IT Plus, Evolution, OnTrac, and QuadraRack are federally registered trademarks of Chatsworth Products, Inc. GlobalFrame, Simply Efficient and Velocity are trademarks of Chatsworth Products, Inc. All other trademarks belong to their respective companies. 12/10