

# Product Cut Sheet

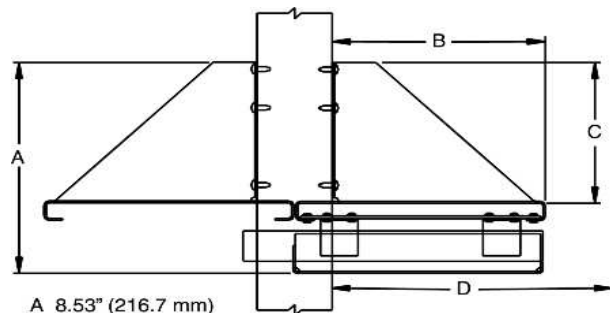
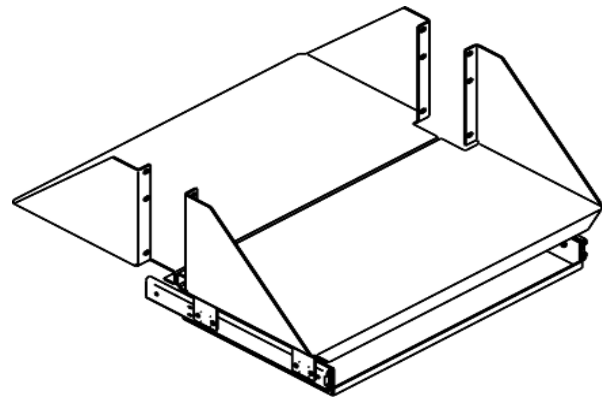
## CPU/MONITOR SHELF WITH SINGLE SLIDING KEYBOARD TRAY

Provides convenient mounting of CPU or monitor and keyboard. Mounting hardware not included. Keyboard tray extends 8.6" (218 mm), 19" W rack trays must use small footprint keyboard; maximum width 16.30" (414 mm). 19" holds equipment up to 17.75" W x 19.82" D (450.9 mm x 503.4 mm), 23" holds equipment up to 21.75" W x 19.82" D (552.5 mm x 503.4 mm). Made of strong, lightweight aluminum; supports up to 200 lb (90.7 kg).

*Note: Small footprint keyboards are available from CPI.*

Part Number	Description	Shipping Weight lb (kg)
11487-X19	Monitor Shelf, Single Tray, For 19" Rack	12 (5.4)
11487-X23	Monitor Shelf, Single Tray, For 23" Rack	12 (5.4)
11487-X25	Monitor Shelf, Single Tray, For 25" Rack	12 (5.4)
12487-X19	Monitor Shelf, Single Tray, For 19" Rack, with Mouse Pad Tray	12 (5.4)
12487-X23	Monitor Shelf, Single Tray, For 23" Rack, with Mouse Pad Tray	12 (5.4)

X=color: 1=Gray, 2=Computer Beige, 5=Clear, 7=Black, E=Glacier White



A 8.53" (216.7 mm)  
 B 9.54" (242.3 mm)  
 C 6.37" (161.8 mm)  
 D 17.12" (434.8 mm)

800-834-4969 in U.S. & Canada • [www.chatsworth.com](http://www.chatsworth.com)



CHATSWORTH PRODUCTS

©2013 Chatsworth Products, Inc. All rights reserved. CPI, CPI Passive Cooling, GlobalFrame, MegaFrame, Saf-T-Grip, Seismic Frame, SlimFrame, TeraFrame, Cube-iT Plus, Evolution, OnTrac, Velocity and QuadraRack are federally registered trademarks of Chatsworth Products. eConnect and Simply Efficient are trademarks of Chatsworth Products. All other trademarks belong to their respective companies. 6/13