

# Product Cut Sheet

## 23" 110D BLOCK MOUNTING PANELS

Used for easy and space-saving mounting of standard 110D Type Wiring Blocks (not included).

- Up to 3000 pair in two columns can be mounted per side on a 7' x 23" rack
- Modular design allows up to 6000 pair in four columns to be mounted front and rear on a 7' x 23" CPI rack
- Slotted large cable loops allow vertical cable runs to be added and removed easily.
- Wall, backboard or 23"W rack mountable (Rack not included)
- Assembly hardware included

### Drawing Callouts:

- 1 Upper Support Trough
- 2 Lower Support Trough
- 3 Cable Tray
- 4 Vertical Cable Ring (3"W x 6.25"D)
- 5 Horizontal Support Channel

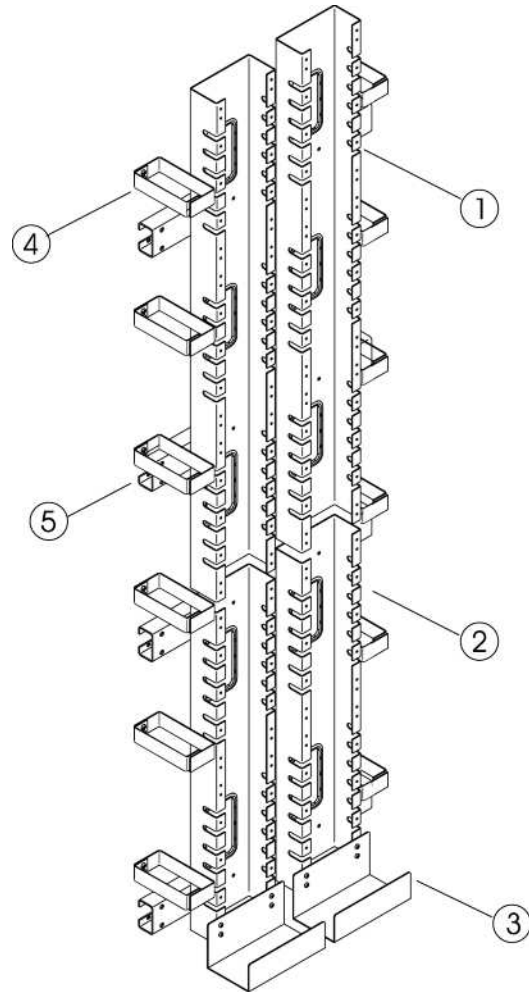
- 11453-X30 Kit (3000 pair) consists of:
  - 2 each Upper Support Trough
  - 2 each Lower Support Trough
  - 2 each Cable Tray
  - 4 each Horizontal Support Channel
  - 12 each Vertical Cable Ring
- 11453-X60 Kit (6000 pair) consists of:
  - 4 each Upper Support Trough
  - 4 each Lower Support Trough
  - 4 each Cable Tray
  - 8 each Horizontal Support Channel
  - 24 each Vertical Cable Ring

### Purchase the following item separately from CPI:

- 23" Universal Rack (P/N 46383-X03)
- 6" Deep High Density Frame (P/N 66383-X03)

### Purchase the following items separately (not available from CPI):

- 110D Type Wiring Blocks
- Horizontal Trough
- Mounting Rivet Kit for blocks and trough



Part Number	Description
11453-X30	23" 110D Block Mounting Panels (3000 pair)
11453-X60	23" 110D Block Mounting Panels (6000 pair)

X=color: 1=Gray, 2=Computer Beige, 5=Clear, 7=Black, E=Glacier White

800-834-4969 in U.S. & Canada • [www.chatsworth.com](http://www.chatsworth.com)



CHATSWORTH PRODUCTS

©2013 Chatsworth Products, Inc. All rights reserved. CPI, CPI Passive Cooling, GlobalFrame, MegaFrame, Saf-T-Grip, Seismic Frame, SlimFrame, TeraFrame, Cube-IT Plus, Evolution, OnTrac, Velocity and QuadraRack are federally registered trademarks of Chatsworth Products. eConnect and Simply Efficient are trademarks of Chatsworth Products. All other trademarks belong to their respective companies. 6/13