

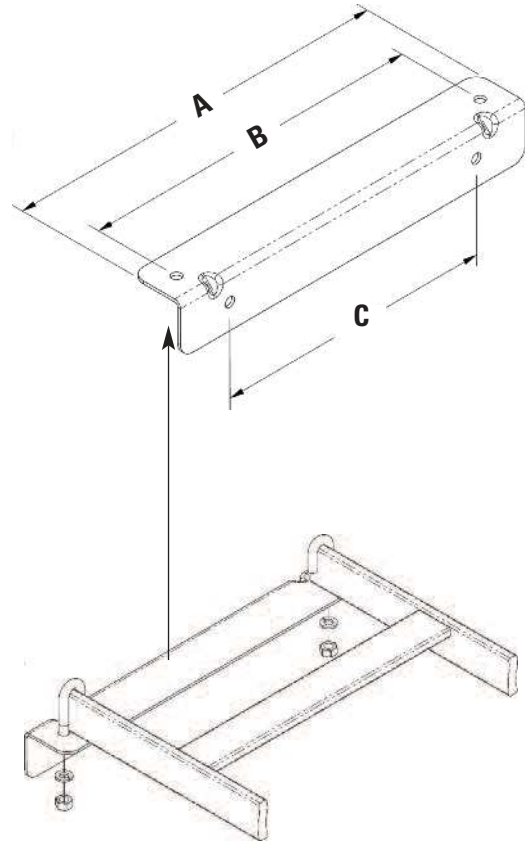
# Product Cut Sheet

## WALL ANGLE SUPPORT KIT, CABLE RUNWAY

2" x 2" x .105" (50 mm x 50 mm x 2.67 mm) steel support angle is designed for wall-mounting specific widths of Cable Runway.

**Kit consists of:**

- (1) wall angle
- (2) 5/16-18 x 2 1/4" J-bolts
- (2) 5/16-18 hex nuts
- (2) 5/16 lock washers



<b>11421</b>	<b>Wall Angle Support Kit</b>
--------------	-------------------------------

Color	
1	Gray
2	Computer Beige
7	Black
0	Gold
E	Glacier White

	Runway Width in (mm)	Dim. A in (mm)	Dim. B in (mm)	Dim. C in (mm)
04	4 (100)	6 (150)	4.31 (109.5)	4.31 (109.5)
06	6 (150)	8 (200)	6.31 (160.3)	4 (100.0)
09	9 (230)	11 (280)	9.31 (236.5)	7 (180.0)
10	10 (250)	12 (300)	10.21 (261.9)	8 (200.0)
12	12 (300)	14 (360)	12.31 (312.7)	10 (250.0)
15	15 (380)	17 (430)	15.31 (388.9)	13 (330.0)
18	18 (460)	20 (510)	18.31 (465.1)	16 (410.0)
20	20 (510)	22 (560)	20.31 (515.9)	18 (460.0)
24	24 (610)	26 (660)	24.31 (617.5)	22 (460.0)
30	30 (760)	32 (810)	30.31 (769.9)	28 (710.0)

<b>11421</b>	-	<b>X</b>	<b>XX</b>
--------------	---	----------	-----------

*X=color: Gold (-0), Computer Beige (-2) and Glacier White (-E) kits have gold colored hardware. Gray (-1) and Black (-7) kits have black colored hardware.*

800-834-4969 in U.S. & Canada • [www.chatsworth.com](http://www.chatsworth.com)



**CHATSWORTH PRODUCTS**

©2013 Chatsworth Products, Inc. All rights reserved. CPI, CPI Passive Cooling, GlobalFrame, MegaFrame, Saf-T-Grip, Seismic Frame, SlimFrame, TeraFrame, Cube-IT Plus, Evolution, OnTrac, Velocity and QuadraRack are federally registered trademarks of Chatsworth Products. eConnect and Simply Efficient are trademarks of Chatsworth Products. All other trademarks belong to their respective companies. 6/13