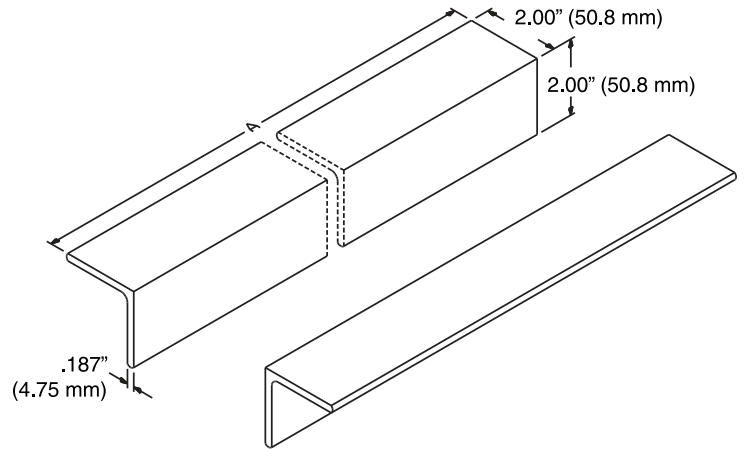


# Product Cut Sheet

## WALL ANGLE

Steel angles used as a wall support or as part of earthquake bracing.

- Material is 2" x 2" x 3/16" steel
- Color used is Gray (other colors available)
- Wall angle is not pre-drilled



Part Number	Dim. A	Color	Shipping Weight
11420-101	1'	Gray	3 lb
11420-104	4'	Gray	7 lb
11420-108	8'	Gray	20 lb
11420-110	10'	Gray	23 lb

800-834-4969 in U.S. & Canada • [www.chatsworth.com](http://www.chatsworth.com)



CHATSWORTH PRODUCTS, INC.

©2010 Chatsworth Products, Inc. All rights reserved. CPI, CPI Passive Cooling, MegaFrame, Saf-T-Grip, Seismic Frame, SlimFrame, TeraFrame, Cube-iT Plus, Evolution, OnTrac, and QuadraRack are federally registered trademarks of Chatsworth Products, Inc. GlobalFrame, Simply Efficient and Velocity are trademarks of Chatsworth Products, Inc. All other trademarks belong to their respective companies. 12/10