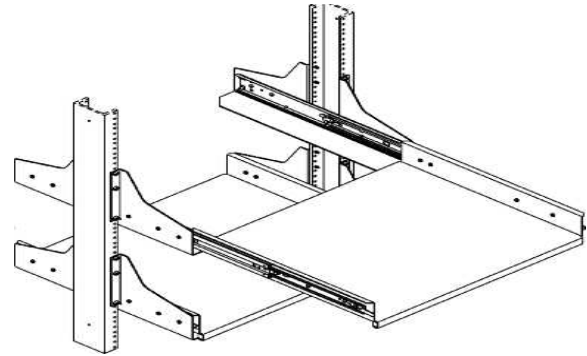


# Product Cut Sheet

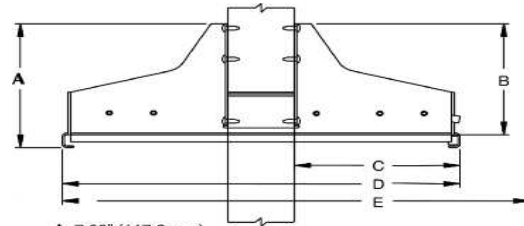
## SLIDING EQUIPMENT SHELF

Provides a sliding shelf for front access to all equipment. Mounting hardware not included. 18"D (460 mm) shelf extends out an additional 16" (410 mm) from closed position. Lockable in fully extended and fully retracted positions. 19" version holds up to 16"W x 17.5"D (410 mm x 445 mm) equipment, 23" version holds up to 20"W x 17.5"D (510 mm x 445 mm) equipment. Mounts on 3"D (80 mm) double-sided racks only. Made of sturdy, lightweight aluminum; supports up to 100 lb (45.4 kg).



Part Number	Description	Shipping Weight lb (kg)
11415-X19	Sliding Equipment Shelf, For 19" Rack	13 (5.9)
11415-X23	Sliding Equipment Shelf, For 23" Rack	13 (5.9)

X=color: 1=Gray, 2=Computer Beige, 5=Clear, 7=Black, E=Glacier White



A 7.00" (117.8 mm)  
B 6.27" (159.3 mm)  
C 7.48" (190.0 mm)  
D 18.0" (457.2 mm)  
E 34.62" (879.3 mm)

800-834-4969 in U.S. & Canada • [www.chatsworth.com](http://www.chatsworth.com)



©2013 Chatsworth Products, Inc. All rights reserved. CPI, CPI Passive Cooling, GlobalFrame, MegaFrame, Saf-T-Grip, Seismic Frame, SlimFrame, TeraFrame, Cube-IT Plus, Evolution, OnTrac, Velocity and QuadraRack are federally registered trademarks of Chatsworth Products. eConnect and Simply Efficient are trademarks of Chatsworth Products. All other trademarks belong to their respective companies. 6/13