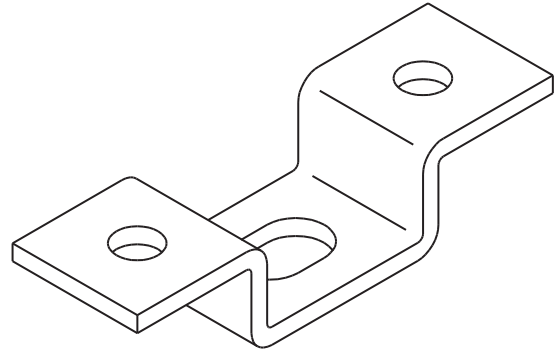


Product Cut Sheet

CEILING SUPPORT BRACKET

Used to attach threaded rod to ceiling, hardware is not included.



Part Number	Description	Shipping Weight lb (kg)
11406-001	3/8" (10 mm) or M10 Rod	1 (0.5)
11406-002	5/8" (16 mm) or M16 Rod	1 (0.5)

800-834-4969 in U.S. & Canada • www.chatsworth.com



CHATSWORTH PRODUCTS, INC.

©2010 Chatsworth Products, Inc. All rights reserved. CPI, CPI Passive Cooling, Saf-T-Grip, Seismic Frame, SlimFrame, MegaFrame and TeraFrame are federally registered trademarks of Chatsworth Products, Inc. Cube-IT Plus, Evolution, OnTrac, QuadraRack and Simply Efficient are trademarks of Chatsworth Products, Inc. All other trademarks belong to their respective companies. 04/10