

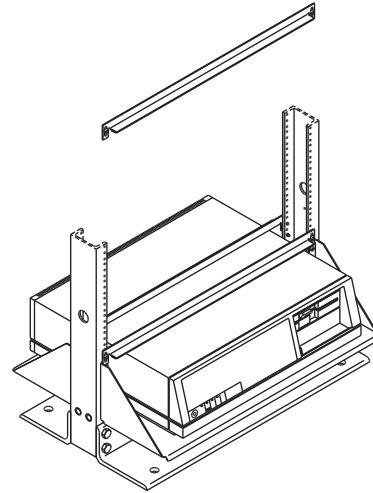
Product Cut Sheet

EQUIPMENT TIE-DOWN BRACKET

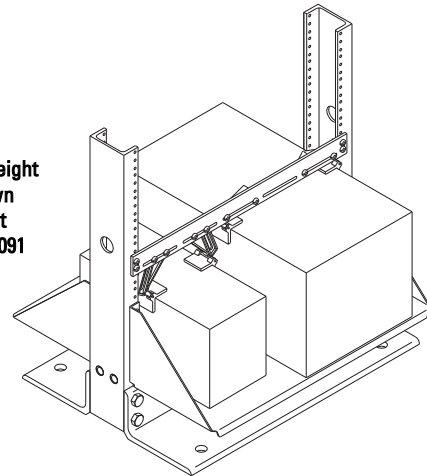
Protect and secure your valuable shelf mounted equipment with this Tie-Down Bracket.

- Ideal for strapping down desktop CPUs or other similarly shaped equipment from being bumped, moved or from seismic activity
- Padded "L" shaped bracket will not scratch equipment
- Sold individually

**Desktop CPU
Tie-Down Bracket
Series 11349**



**Variable Height
Tie-Down
Bracket
Series 12091**



| Part Number | | Color |
|---|-----------|-------|
| 19" Rack | 23" Rack | |
| Desktop CPU Tie-Down Bracket | | |
| 11349-119 | 11349-123 | Gray |
| 11349-219 | 11349-223 | White |
| 11349-519 | 11349-523 | Clear |
| 11349-719 | 11349-723 | Black |
| Variable Height Tie-Down Bracket | | |
| 12091-119 | 12091-123 | Gray |
| 12091-219 | 12091-223 | White |
| 12091-519 | 12091-523 | Clear |
| 12091-719 | 12091-723 | Black |

800-834-4969 in U.S. & Canada • www.chatsworth.com



CHATSWORTH PRODUCTS, INC.

©2012 Chatsworth Products, Inc. All rights reserved. CPI, CPI Passive Cooling, MegaFrame, Saf-T-Grip, Seismic Frame, SlimFrame, TeraFrame, GlobalFrame, Cube-iT Plus, Evolution, OnTrac, QuadraRack and Velocity are federally registered trademarks of Chatsworth Products, Inc. Simply Efficient is a trademark of Chatsworth Products, Inc. All other trademarks belong to their respective companies. Products, Inc. All other trademarks belong to their respective companies.