

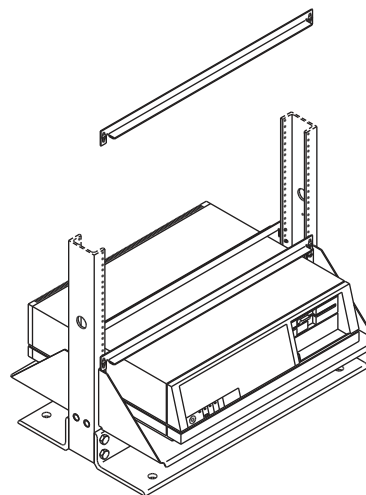
# Product Cut Sheet

## EQUIPMENT TIE-DOWN BRACKET

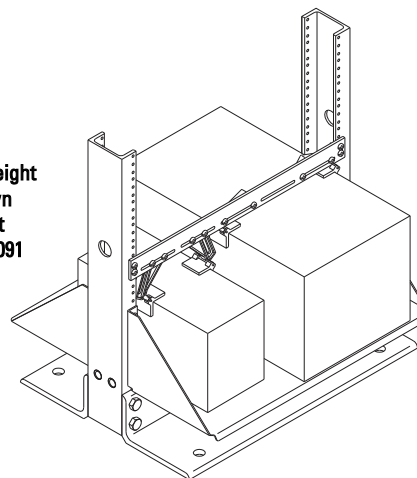
Protect and secure your valuable shelf mounted equipment with this Tie-Down Bracket.

- Ideal for strapping down desktop CPUs or other similarly shaped equipment from being bumped, moved or from seismic activity
- Padded "L" shaped bracket will not scratch equipment
- Sold individually

**Desktop CPU  
Tie-Down Bracket  
Series 11349**



**Variable Height  
Tie-Down  
Bracket  
Series 12091**



Part Number		Color
19" Rack	23" Rack	
<b>Desktop CPU Tie-Down Bracket</b>		
11349-119	11349-123	Gray
11349-219	11349-223	White
11349-519	11349-523	Clear
11349-719	11349-723	Black
<b>Variable Height Tie-Down Bracket</b>		
12091-119	12091-123	Gray
12091-219	12091-223	White
12091-519	12091-523	Clear
12091-719	12091-723	Black

800-834-4969 in U.S. & Canada • [www.chatsworth.com](http://www.chatsworth.com)



**CHATSWORTH PRODUCTS, INC.**

©2012 Chatsworth Products, Inc. All rights reserved. CPI, CPI Passive Cooling, MegaFrame, Saf-T-Grip, Seismic Frame, SlimFrame, TeraFrame, GlobalFrame, Cube-iT Plus, Evolution, OnTrac, QuadraRack and Velocity are federally registered trademarks of Chatsworth Products, Inc. Simply Efficient is a trademark of Chatsworth Products, Inc. All other trademarks belong to their respective companies. Products, Inc. All other trademarks belong to their respective companies