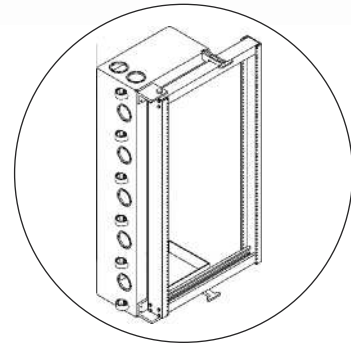


# Product Cut Sheet

## UNIVERSAL SWING GATE RACK

This full-featured swing gate rack offers 150 lb (68.0 kg) load handling capacity, easy assembly and built-in cable management capabilities.

- Dual locking latches keep gate securely closed
- Improved cable management with nine cable pass-through ports and six Saf-T-Grip® reusable Velcro® strips
- Gate opens 180°, made of strong, lightweight aluminum
- Easy assembly using included instructions
- Universal 5/8"-5/8"-1/2" (15.9 mm -15.9 mm -12.7 mm) alternating mounting hole pattern drilled on both front and back sides
- Rack-mount spaces are marked and numbered
- (50) #12-24 mounting screws included. Black painted racks ship with black screws; other racks ship with zinc screws
- Supports 150 lb (68.0 kg) of equipment when securely mounted to wall



Universal Swing Gate Rack							
Part Number	Usable Dimensions			Overall Dimensions - in (mm)			Shipping Weight lb (kg)
	Height	Width	Depth	Height	Width	Depth	
11347-X19	20U	19"EIA	12 (300)	40.4 (1026)	22.1 (562)	12.8 (325)	24 (10.9)
11348-X19	20U	19"EIA	18 (457)	40.4 (1026)	22.1 (562)	18.8 (478)	29 (13.2)
11347-X23	20U	23"	12 (300)	40.4 (1026)	26.1 (663)	12.8 (325)	25 (11.3)
11348-X23	20U	23"	18 (457)	40.4 (1026)	26.1 (663)	18.8 (478)	30 (13.6)

X=color: 1=Gray, 2=Computer Beige, 5=Clear, 7=Black, E=Glacier White.

800-834-4969 in U.S. & Canada • [www.chatsworth.com](http://www.chatsworth.com)



CHATSWORTH PRODUCTS

©2013 Chatsworth Products, Inc. All rights reserved. CPI, CPI Passive Cooling, GlobalFrame, MegaFrame, Saf-T-Grip, Seismic Frame, SlimFrame, TeraFrame, Cube-IT Plus, Evolution, OnTrac, Velocity and QuadraRack are federally registered trademarks of Chatsworth Products. eConnect and Simply Efficient are trademarks of Chatsworth Products. All other trademarks belong to their respective companies. 6/13