

Product Cut Sheet

AUXILIARY FRAMING CHANNEL SPLICE

Used to butt-splice either 9/16" x 2" (14.288 mm x 50 mm), Figure A
or
1" x 2" (25 mm x 50 mm), Figure B, Auxiliary Framing Channel.
Material is steel finished with Gold over Zinc plating.

Kit consists of:

- (2) splice plates (no drilling required)
- (1) 3/8-16 hex cap screw
- (1) 3/8-16 hex nut and split lock washers

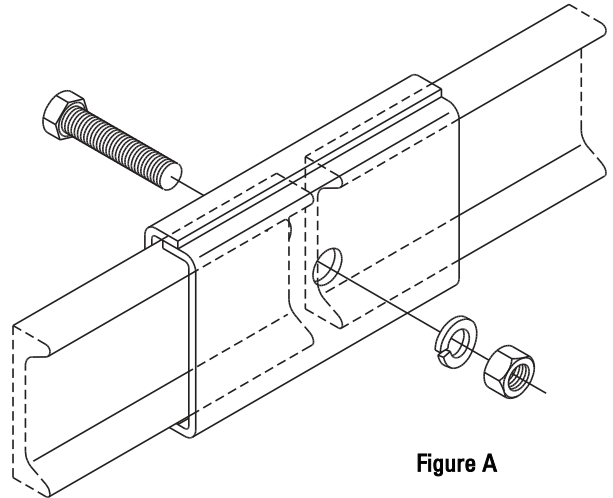


Figure A

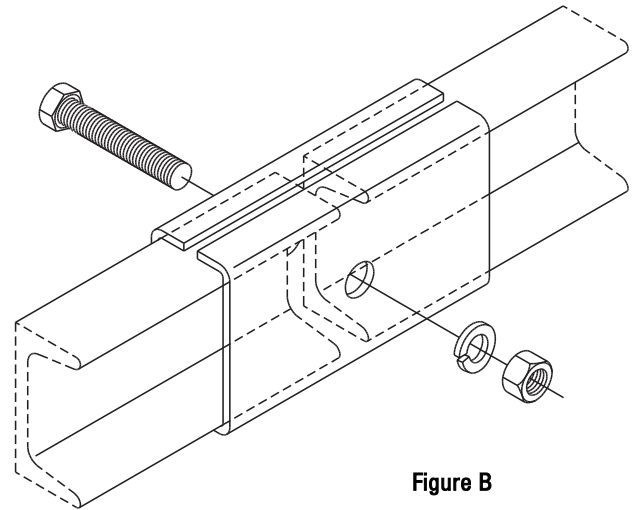


Figure B

Part Number	Description in (mm)	Figure	Shipping Weight lb (kg)
10715-001	9/16 x 2 (14.288 x 50) Channel	A	1 (0.5)
11307-000	1 x 2 (25 x 50) Channel	B	1 (0.5)

800-834-4969 in U.S. & Canada • www.chatsworth.com



CHATSWORTH PRODUCTS, INC.

©2012 Chatsworth Products, Inc. All rights reserved. CPI, CPI Passive Cooling, MegaFrame, Saf-T-Grip, Seismic Frame, SlimFrame, TeraFrame, GlobalFrame, Cube-iT Plus, Evolution, OnTrac, QuadraRack and Velocity are federally registered trademarks of Chatsworth Products, Inc. Simply Efficient is a trademark of Chatsworth Products, Inc. All other trademarks belong to their respective companies.