

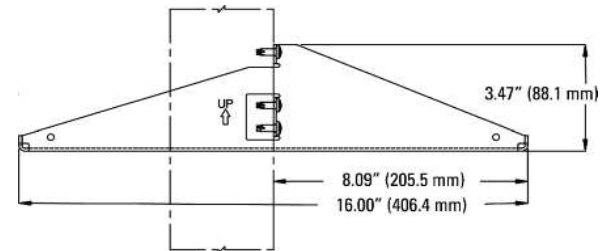
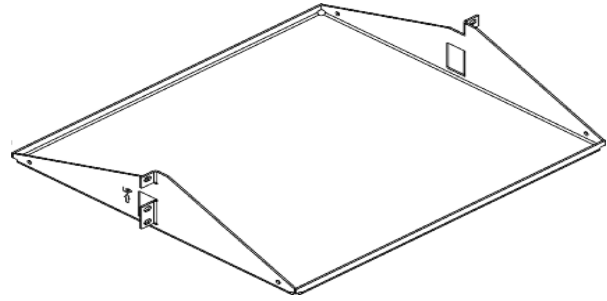
Product Cut Sheet

16"D (410 MM) LOW PROFILE SHELF

Reduced height design saves on valuable rack space. Center mount design is ideal for single sided racks, mounts to either front or back of rack channel face. Mounting hardware not included. 19" version holds equipment up to 17.25"W x 15.82"D (438.2 mm x 401.8 mm), 23" version holds equipment up to 21.25"W x 15.82"D (539.8 mm x 401.8 mm). Made of strong, lightweight aluminum; supports up to 40 lb (18.1 kg).

Part Number	Description	Shipping Weight lb (kg)
11293-X19	Low Profile Shelf, For 19" Rack	4 (1.8)
11293-X23	Low Profile Shelf, For 23" Rack	5 (2.3)

X=color: 1=Gray, 2=Computer Beige, 5=Clear, 7=Black, E=Glacier White



800-834-4969 in U.S. & Canada • www.chatsworth.com



CHATSWORTH PRODUCTS

©2013 Chatsworth Products, Inc. All rights reserved. CPI, CPI Passive Cooling, GlobalFrame, MegaFrame, Saf-T-Grip, Seismic Frame, SlimFrame, TeraFrame, Cube-IT Plus, Evolution, OnTrac, Velocity and QuadraRack are federally registered trademarks of Chatsworth Products. eConnect and Simply Efficient are trademarks of Chatsworth Products. All other trademarks belong to their respective companies. 6/13