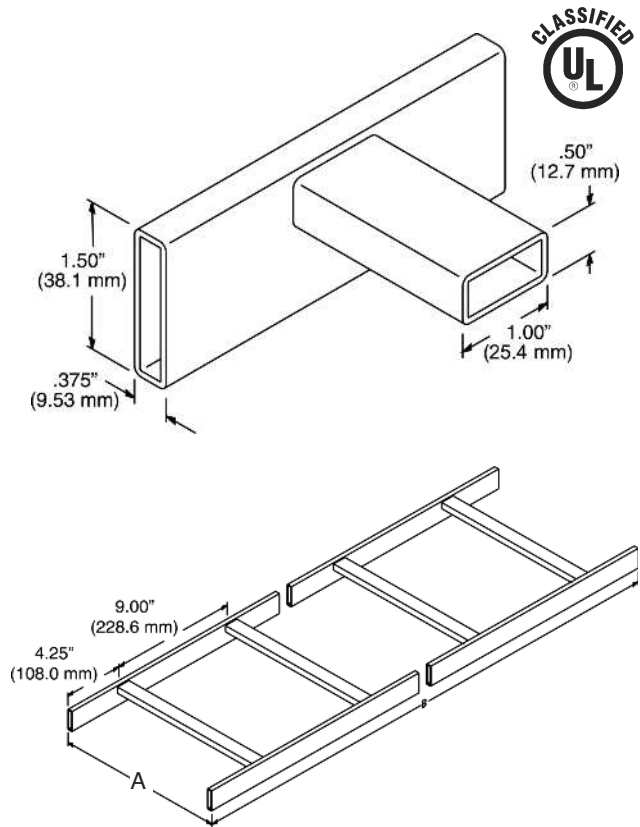


Product Cut Sheet

TELCO-STYLE CABLE RUNWAY

Similar in construction to our Universal Cable Runway (10250 Series). The side stringers are 1 1/2" x 3/8" x .065" (38 mm x 9.53 mm x 1.65 mm) and the cross members are 1/2" x 1" x .065" (12.7 mm x 30 mm x 1.65 mm) welded at 9" (230 mm) intervals.

- The overall length is 9' 8-1/2" / 116.5" (2959 mm) or 4' 5-1/2" / 53.5" (1359 mm) to comply with TELCO-Style standards
- Individually boxed to prevent scratching and damage
- Installation Best Practices includes Runway Elevation Kit (page 6-19)



Note: Shown in two sections for illustrative purposes, actual product is one piece.

Part Number	Width (Dim. A) in (mm)	Length (Dim. B) in (mm)
11252-X06	6 (150)	9' 8-1/2 (2959)
11252-X09	9 (230)	9' 8-1/2 (2959)
11252-X10	10 (250)	9' 8-1/2 (2959)
11252-X12	12 (300)	9' 8-1/2 (2959)
11252-X13	12 (300)	4' 5-1/2 (1359)
11252-X15	15 (380)	9' 8-1/2 (2959)
11252-X18	18 (460)	9' 8-1/2 (2959)
11252-X20	20 (510)	9' 8-1/2 (2959)

X=color: 1=Gray, 2=Computer Beige, 7=Black, E=Glacier White.

800-834-4969 in U.S. & Canada • www.chatsworth.com



CHATSWORTH PRODUCTS

©2013 Chatsworth Products, Inc. All rights reserved. CPI, CPI Passive Cooling, GlobalFrame, MegaFrame, Saf-T-Grip, Seismic Frame, SlimFrame, TeraFrame, Cube-IT Plus, Evolution, OnTrac, Velocity and QuadraRack are federally registered trademarks of Chatsworth Products. eConnect and Simply Efficient are trademarks of Chatsworth Products. All other trademarks belong to their respective companies. 6/13