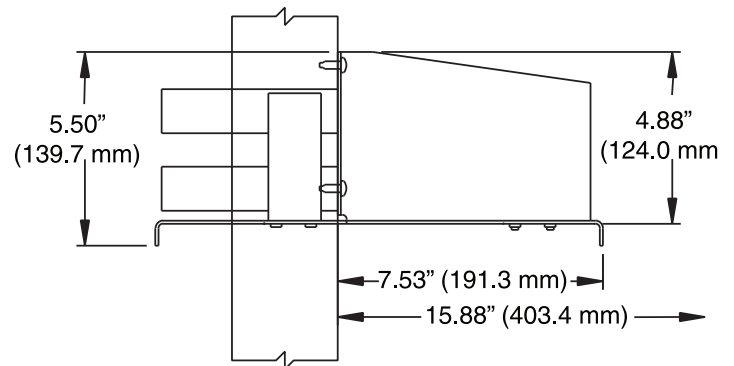
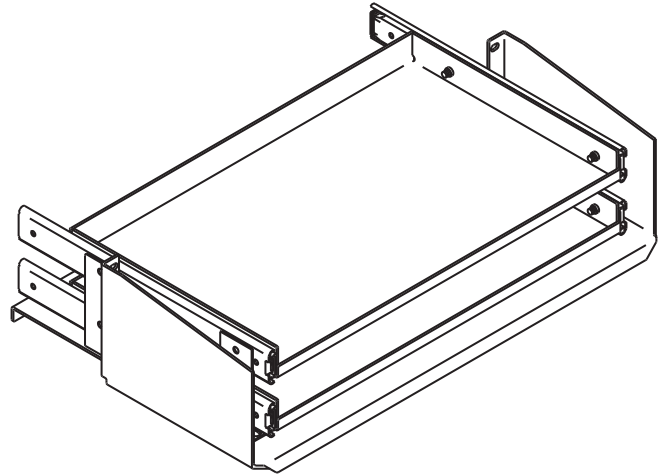


Product Information Sheet

SLIDING DOUBLE KEYBOARD TRAY

Convenient for mounting multiple keyboards. Similar to 12062 except holds two keyboards.

- Made of .090 aluminum
- Extends 8" providing full access to keyboards
- Retracts out of the way when not in use
- Holds keyboards up to 9.8" deep
- 19" version holds up to 16.1" wide keyboards
- 23" version holds up to 20.1" wide keyboards
- 25" version holds up to 20.1" wide keyboards
- Sold individually
- Mounting hardware not included



Part Number			Color
19" Rack*	23" Rack	25" Rack	
11227-119	11227-123	11227-125	Gray
11227-219	11227-223	11227-225	White
11227-519	11227-523	11227-525	Clear
11227-719	11227-723	11227-725	Black

*Must use small footprint keyboard

Note: This tray does not support the mouse pad attachment.

800-834-4969 in U.S. & Canada • www.chatsworth.com



CHATSWORTH PRODUCTS, INC.

©2009 Chatsworth Products, Inc. All rights reserved. CPI, CPI Passive Cooling, Saf-T-Grip, Seismic Frame, SlimFrame and MegaFrame are federally registered trademarks of Chatsworth Products, Inc. Cube-iT Plus, Evolution, OnTrac, QuadraRack, Simply Efficient and TeraFrame are trademarks of Chatsworth Products, Inc. All other trademarks belong to their respective companies. 05/09