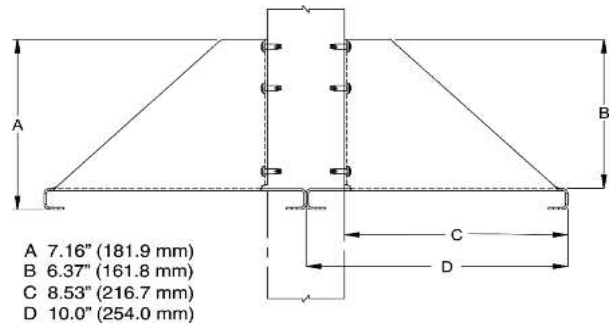
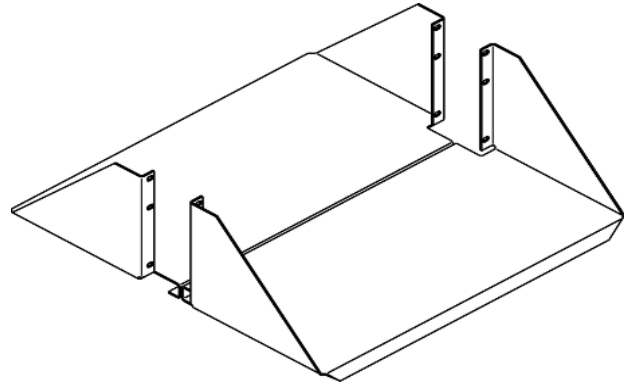


# Product Cut Sheet

## HEAVY DUTY EQUIPMENT SHELF FOR 3" (80 MM) CHANNEL

Convenient for mounting large equipment requiring additional support. Mounting hardware not included. 19" version holds equipment up to 17.75"W x 19.8"D (450.9 mm x 503.4 mm), 23" version holds equipment up to 21.75"W x 19.8"D (552.5 mm x 503.4 mm). Made of strong, light-weight aluminum; supports up to 200 lb (90.7 kg). 19" version is UL Listed: File E140851; Category DUXR (US), DUXR7 (Canada) – Communications Circuit Accessory.



Part Number	Description	Shipping Weight lb (kg)
11164-X19	Heavy Duty Shelf for 3" (80 mm) Channel, For 19" Rack	8 (3.6)
11164-X23	Heavy Duty Shelf for 3" (80 mm) Channel, For 23" Rack	9 (4.1)

X=color: 1=Gray, 2=Computer Beige, 5=Clear, 7=Black, E=Glacier White.

800-834-4969 in U.S. & Canada • [www.chatsworth.com](http://www.chatsworth.com)



©2013 Chatsworth Products, Inc. All rights reserved. CPI, CPI Passive Cooling, GlobalFrame, MegaFrame, Saf-T-Grip, Seismic Frame, SlimFrame, TeraFrame, Cube-IT Plus, Evolution, OnTrac, Velocity and QuadraRack are federally registered trademarks of Chatsworth Products. eConnect and Simply Efficient are trademarks of Chatsworth Products. All other trademarks belong to their respective companies. 6/13