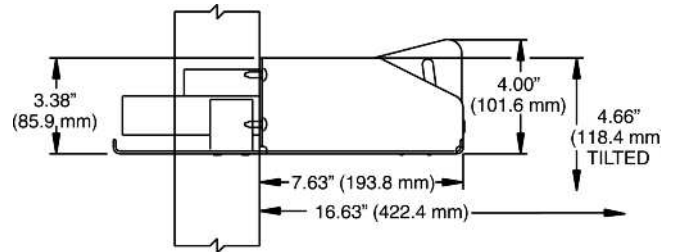
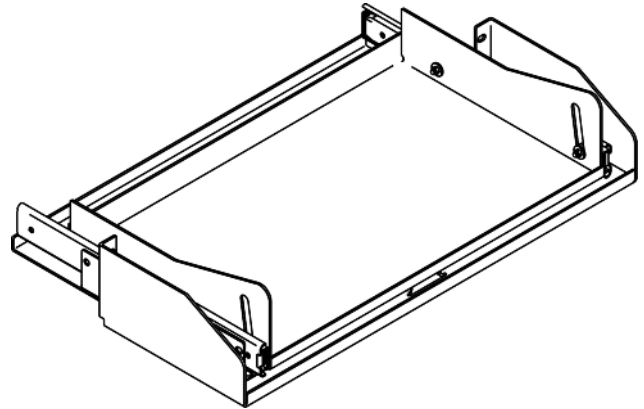


# Product Cut Sheet

## TILTING KEYBOARD TRAY

This keyboard tray is designed to extend and rotate toward the user, offering a more comfortable operating angle. This allows for higher mounting and taller equipment to be used and still give comfortable access to the keyboard. Mounting hardware not included.

- Extends 9" giving full access to keyboard
- Retracts when not in use
- Holds keyboards up to 9.8" deep
- 19" version holds up to 16.1" wide keyboards
- 23" version holds up to 20.1" wide keyboards



Part Number	Description
11163-X19	Tilting Keyboard Tray for 19" Rack
11163-X23	Tilting Keyboard Tray for 23" Rack

*\*19" rack tray must use small footprint keyboard.*

*Note: This tray does not support the mouse pad attachment.*

*X=color: 1=Gray, 2=Computer Beige, 5=Clear, 7=Black, E=Glacier White*

800-834-4969 in U.S. & Canada • [www.chatsworth.com](http://www.chatsworth.com)



CHATSWORTH PRODUCTS

©2013 Chatsworth Products, Inc. All rights reserved. CPI, CPI Passive Cooling, GlobalFrame, MegaFrame, Saf-T-Grip, Seismic Frame, SlimFrame, TeraFrame, Cube-IT Plus, Evolution, OnTrac, Velocity and QuadraRack are federally registered trademarks of Chatsworth Products. eConnect and Simply Efficient are trademarks of Chatsworth Products. All other trademarks belong to their respective companies. 6/13