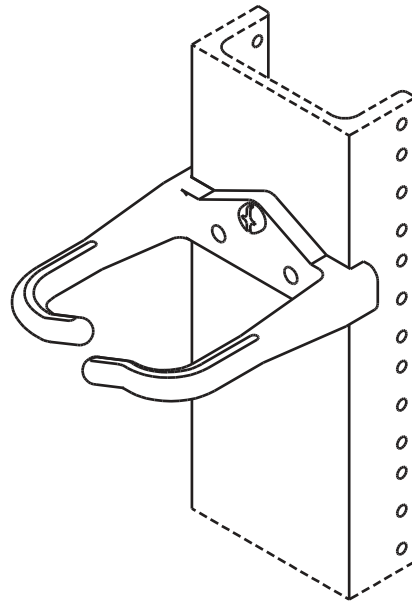
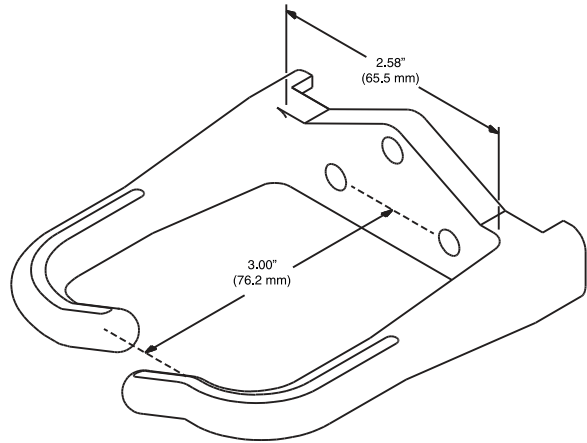


# Product Cut Sheet

## CHANNEL-MOUNTED DISTRIBUTION RING

Designed to mount to the upright channels of CPI Universal equipment racks. Made of high-strength, fire-retardant material with rounded edges to prevent damage to cable and wire insulation while providing easy pull-through. The open-design "C" rings allow for easy adds, moves and changes, eliminating the need to feed through cable. Mounting hardware not included.

- Mounts on CPI Universal racks only
- Organizes equipment wiring and cabling
- Strong, lightweight composite construction
- Split ring style allows easy additions or changes to cable runs
- Molded of fire-retardant material
- Internal dimensions: 2.58"W (65.5 mm) x 3"D (76.2 mm)
- Overall dimensions: 3.58"W (90.9 mm) x 3.93"D (99.8 mm); projects 3.68" (93.5 mm) past the side of the rack channel
- Sold individually and in quantities of 100



Part Number	Description Width in (mm)	Shipping Weight lb (kg)
11125-001	3 (80) Open "C" Ring, White, 1	1 (0.5)
11125-011	3 (80) Open "C" Ring, White, 100	9 (4.1)
11125-003	3 (80) Open "C" Ring, Black, 1	1 (0.5)
11125-013	3 (80) Open "C" Ring, Black, 100	9 (4.1)

800-834-4969 in U.S. & Canada • [www.chatsworth.com](http://www.chatsworth.com)



CHATSWORTH PRODUCTS, INC.

©2010 Chatsworth Products, Inc. All rights reserved. CPI, CPI Passive Cooling, MegaFrame, Saf-T-Grip, Seismic Frame, SlimFrame, TeraFrame, Cube-iT Plus, Evolution, OnTrac, and QuadraRack are federally registered trademarks of Chatsworth Products, Inc. GlobalFrame, Simply Efficient and Velocity are trademarks of Chatsworth Products, Inc. All other trademarks belong to their respective companies. 12/10