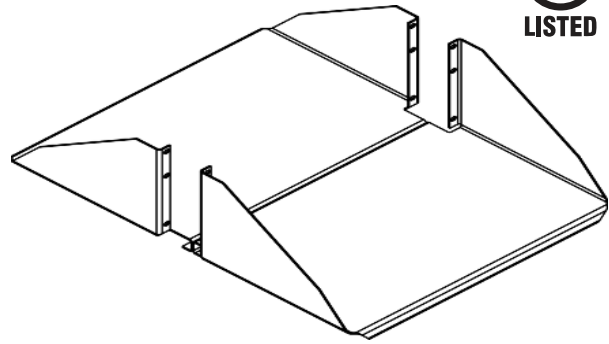


# Product Cut Sheet

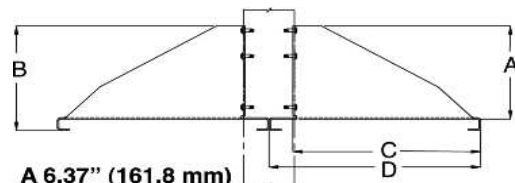
## 26" D (660 MM) SHELF

Extra deep design is convenient for mounting large equipment requiring additional support. Will fit inside most CPI rack enclosures, except P/N 11058 or wall enclosure). Mounting hardware not included. 19" version holds equipment up to 17.75"W x 25.8"D (450.9 mm x 655.8 mm), 23" version holds equipment up to 21.75"W x 25.8"D (552.5 mm x 655.8 mm). Made of strong, lightweight aluminum; supports up to 150 lb (68.0 kg). 19" version is UL Listed: File E140851; Category DUXR (US), DUXR7 (Canada) – Communications Circuit Accessory.



| Part Number | Description                       | Shipping Weight lb (kg) |
|-------------|-----------------------------------|-------------------------|
| 11054-X19   | 26"D (660 mm) Shelf, For 19" Rack | 10 (4.5)                |
| 11054-X23   | 26"D (660 mm) Shelf, For 23" Rack | 10 (4.5)                |

X=color: 1=Gray, 2=Computer Beige, 5=Clear, 7=Black, E=Glacier White



**A 6.37" (161.8 mm)**  
**B 7.16" (181.9 mm)**  
**C 11.53" (292.9 mm)**  
**D 13.00" (330.2 mm)**

800-834-4969 in U.S. & Canada • [www.chatsworth.com](http://www.chatsworth.com)



CHATSWORTH PRODUCTS

©2013 Chatsworth Products, Inc. All rights reserved. CPI, CPI Passive Cooling, GlobalFrame, MegaFrame, Saf-T-Grip, Seismic Frame, SlimFrame, TeraFrame, Cube-IT Plus, Evolution, OnTrac, Velocity and QuadraRack are federally registered trademarks of Chatsworth Products. eConnect and Simply Efficient are trademarks of Chatsworth Products. All other trademarks belong to their respective companies. 6/13