

Product Cut Sheet

SINGLE RACK ENCLOSURES

The Single Rack Enclosure is used to enclose an existing installed rack. Consider a MegaFrame® Cabinet (refer to Section 2) as an alternative if you don't have a pre-existing installed rack.

Easy access for installation and maintenance is an integral part of the overall design. The top and both side panels can be removed in minutes to provide access to module interior. In addition, it's easy to remove the doors for complete access. Or, when the door opening needs to be reversed to the opposite side (right-or left-opening), it's easy to do.

Made of high-strength aluminum and finished with either computer white or black paint, making the units both protective and attractive.

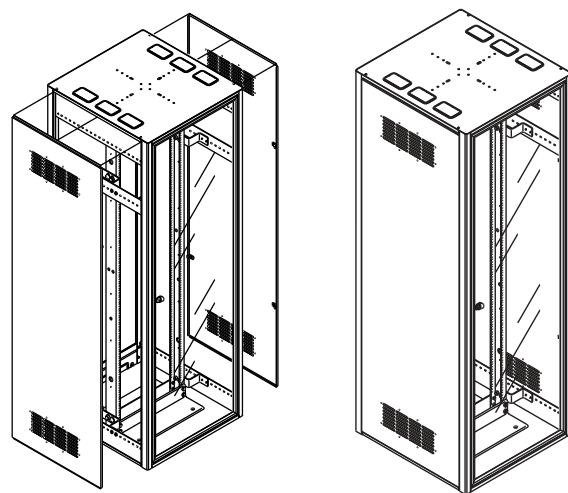
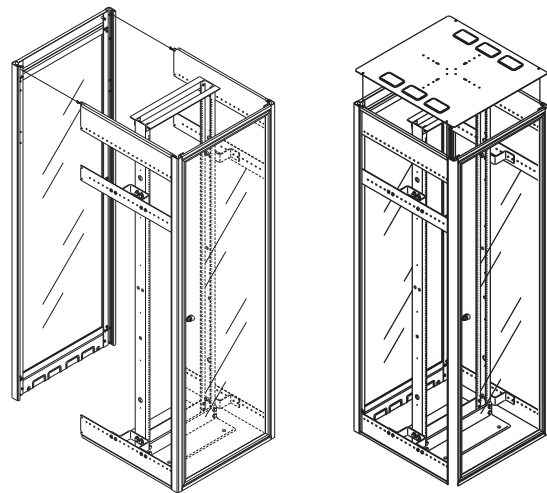
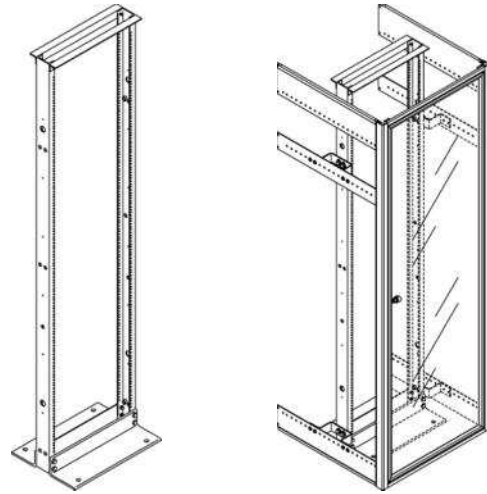
The Single Rack Enclosure comes standard with smoke-colored plexiglass doors that make it easy for anyone to visually check equipment operation status without touching equipment. Also available with metal doors. Optional ventilation fans and filters are available.

The Single Rack Enclosure has ample room for wire and cable. The aluminum top panel with six edge-protected punch-out ports provides cabling access wherever needed. Run cable through the back panel by removing one of four cable access plates located along the bottom kick plate.

Ships complete with assembly instructions in just one 14" x 32" x 89" (360 mm x 810 mm x 2260 mm) carton. Shipping weight approximately 135 lb (61.2 kg)

Features:

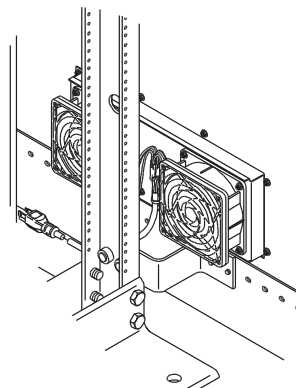
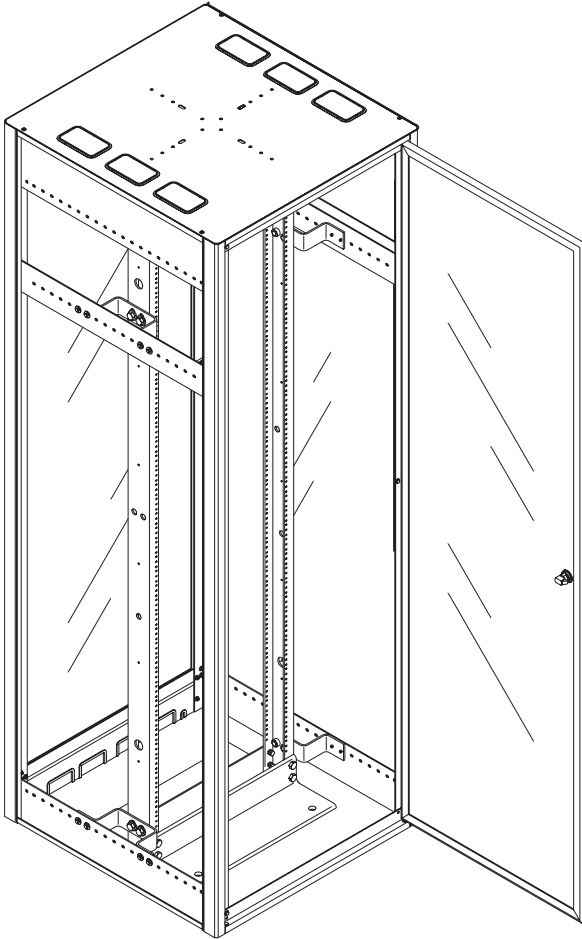
- Strong, lightweight aluminum construction
- Can be added around a pre-installed rack
- Easy upgrade for security and aesthetic needs
- Convenient cable access with removable sides, rear-kick panel and cut-out top sections
- Lockable plexiglass or metal doors are easily reversible
- Ships partially assembled in one carton to minimize shipping and handling costs



800-834-4969 in U.S. & Canada • www.chatsworth.com

Product Cut Sheet

SINGLE RACK ENCLOSURES



P/N 11755-001
Standard side-mounted enclosure fan kit includes (2) complete fan assemblies with an attached cord with NEMA 5-15P plug.

| Single Rack Enclosure | |
|-----------------------|-------------------------------|
| 110 | Plexiglass Doors on Enclosure |
| Rack Width | |
| 38 | 19" |
| 48 | 23" |
| Color | |
| 2 | Computer Beige |
| 7 | Black |
| E | Glacier White |
| Rack Height - ft (m) | |
| 06 | 6 (1.8) With Side Panels |
| 07 | 7 (2.1) With Side Panels |
| 96 | 6 (1.8) Without Side Panels |
| 97 | 7 (2.1) Without Side Panels |

110 XX - X XX

| Metal Door Rack Enclosure | |
|---------------------------|--------------------------------------|
| 11558 | For 19" Rack - Metal Enclosure Doors |
| Color | |
| 2 | Computer Beige |
| 7 | Black |
| E | Glacier White |
| Rack Height - ft (m) | |
| 06 | 6 (1.8) With Side Panels |
| 07 | 7 (2.1) With Side Panels |
| 96 | 6 (1.8) Without Side Panels |
| 97 | 7 (2.1) Without Side Panels |

11558 - X XX

| Fan Kit for Single Rack Enclosures | |
|------------------------------------|---|
| 11755-001 | Fan Kit; 400 CFM, 115 VAC, 50/60 Hz, 0.19 Amp, NEMA 5-15P Plug, Components are UL & ROHS approved |
| 11222-001 | Replacement Filter Kit |

| | |
|--------------------------------|------------|
| Operating Voltage: | 115 VAC |
| Airflow (Nominal): | 100 CFM |
| Noise Level (1 Meter Max): | 42 dBA |
| Power Consumption (Nominal) | 13.4 Watts |
| Operating Current (Nominal): | .19 AMP |
| Operating Frequency (Nominal): | 60 Hz |
| Cord Length | 68" |

Air is drawn in through the louvers at the bottom of the enclosure and is forced out through the top louvers. Fans pressurize enclosure, forcing warmer air out top vents.

800-834-4969 in U.S. & Canada • www.chatsworth.com



CHATSWORTH PRODUCTS

©2013 Chatsworth Products, Inc. All rights reserved. CPI, CPI Passive Cooling, GlobalFrame, MegaFrame, Saf-T-Grip, Seismic Frame, SlimFrame, TeraFrame, Cube-iT Plus, Evolution, OnTrac, Velocity and QuadraRack are federally registered trademarks of Chatsworth Products. eConnect and Simply Efficient are trademarks of Chatsworth Products. All other trademarks belong to their respective companies. 07/13