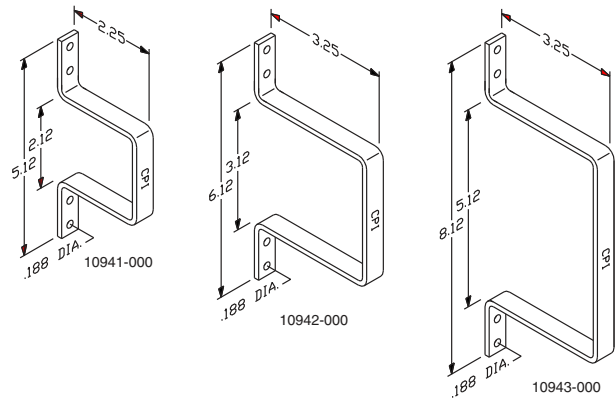
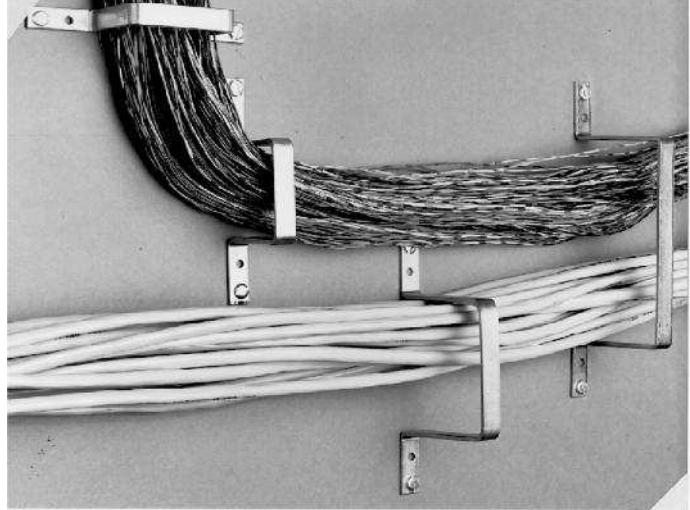


# Product Cut Sheet

## METAL D-RINGS

A convenient and economical way to route, support, and secure cables and jumper wires in terminal closets or wherever cable runs are required.

- Offered in three standard sizes
- Made from 1/8" x 1/2" hot-rolled steel strap with zinc plating to resist corrosion
- Ring edges are rolled to prevent nicks and scratches in the cable and wire insulation
- Sold individually and in quantities of 100
- Mounting hardware not included



Part Number	Description	Shipping Weight
10941-000	Small	1 lb
10941-010	Small, box of 100	16 lb
10942-000	Medium	1 lb
10942-010	Medium, box of 100	22 lb
10943-000	Large	1 lb
10943-010	Large, box of 100	24 lb

800-834-4969 in U.S. & Canada • [www.chatsworth.com](http://www.chatsworth.com)



CHATSWORTH PRODUCTS, INC.

©2010 Chatsworth Products, Inc. All rights reserved. CPI, CPI Passive Cooling, MegaFrame, Saf-T-Grip, Seismic Frame, SlimFrame, TeraFrame, Cube-IT Plus, Evolution, OnTrac, and QuadraRack are federally registered trademarks of Chatsworth Products, Inc. GlobalFrame, Simply Efficient and Velocity are trademarks of Chatsworth Products, Inc. All other trademarks belong to their respective companies. 12/10