

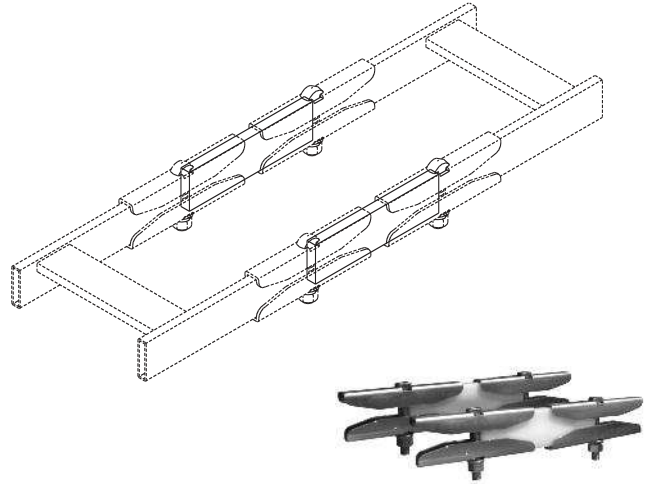
Product Cut Sheet

CABLE RUNWAY INSULATOR BAR KIT

Electrically isolates Cable Runway sections, isolating grounded sections of runway or where strong EMI/RFI fields could generate eddy-currents, which could disturb down-line equipment. Made of durable, non-conductive Delrin®

Kit consists of:

- (2) insulator bars, 1.5"H x 3/8"W x 5.5"L
(38 mm x 9.53 mm x 140 mm)
- (2) butt-splice kits (P/N/ 11301-001)



| Part Number | Description | Shipping Weight lb (kg) |
|-------------|----------------------------|-------------------------|
| 10842-001 | Insulator Bar Kit, 1 Kit | 2 (0.9) |
| 10842-010 | Insulator Bar Kit, 10 Kits | 24 (10.9) |

800-834-4969 in U.S. & Canada • www.chatsworth.com



CHATSWORTH PRODUCTS, INC.

©2012 Chatsworth Products, Inc. All rights reserved. CPI, CPI Passive Cooling, MegaFrame, Saf-T-Grip, Seismic Frame, SlimFrame, TeraFrame, GlobalFrame, Cube-iT Plus, Evolution, OnTrac, QuadraRack and Velocity are federally registered trademarks of Chatsworth Products, Inc. eConnect and Simply Efficient are trademarks of Chatsworth Products, Inc. All other trademarks belong to their respective companies. 08/12