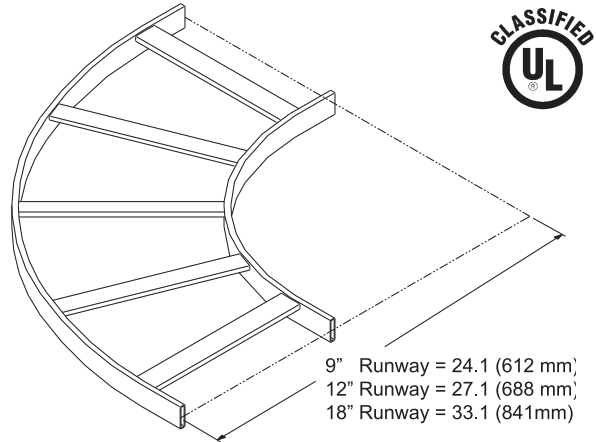


Product Cut Sheet

CABLE RUNWAY E-BEND

Creates a 90 degree gradual sweep in horizontal plane for Cable Runway runs. Designed for cabling in conformance with minimum bend radius requirements (typically 4 times the cable diameter). Made of lightweight 1-1/2" x 3/8" (38.1 mm x 9.53 mm) tubular steel to fit standard Cable Runway. Cross members welded at approximately 23 degree increments.

- Conforms to Category 5e/6/6a requirements
- Easy installation using CPI Butt-Splices (P/N 11301-001, not included)



Part Number	Cable Runway Width in (mm)	Width (Dim B) in (mm)
10822-X04	4 (100)	19.1 (485)
10822-X06	6 (150)	21.1 (536)
10822-X08	8 (200)	23.1 (587)
10822-X09	9 (230)	24.1 (612)
10822-X10	10 (250)	25.1 (638)
10822-X12	12 (300)	27.1 (688)
10822-X15	15 (380)	30.1 (765)
10822-X18	19 (460)	33.1 (841)
10822-X20	20 (510)	35.1 (892)
10822-X24	24 (610)	39.1 (993)
10822-X31	30 (760)	45.1 (1146)
10822-X37	36 (910)	51.1 (1298)

X=Color; 0=Gold, 1=Gray, 2=Computer Beige, 7=Black, E=Glacier White.
 Note: Only gold E-Bends are UL Classified.

800-834-4969 in U.S. & Canada • www.chatsworth.com

US & Canada

+1-800-834-4969
 Toronto, Ontario, Canada
 +905-850-7770
chatsworth.com

Latin America

+52-55-5203-7525
 Toll Free within Mexico
 01-800-01-7592
chatsworth.com.co

Europe

+44-1628-524-834
chatsworthproducts.co.uk

Middle East & Africa

Dubai, UAE
 +971-4-2602125
chatsworthproducts.co.uk

Asia Pacific

+86 21 6880-0266
chatsworth.com.cn



CHATSWORTH
 PRODUCTS

techsupport@chatsworth.com