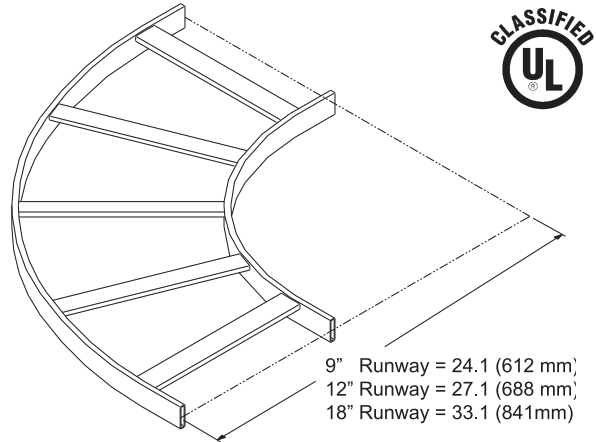


# Product Cut Sheet

## CABLE RUNWAY E-BEND

Creates a 90 degree gradual sweep in horizontal plane for Cable Runway runs. Designed for cabling in conformance with minimum bend radius requirements (typically 4 times the cable diameter). Made of lightweight 1-1/2" x 3/8" (38.1 mm x 9.53 mm) tubular steel to fit standard Cable Runway. Cross members welded at approximately 23 degree increments.

- Conforms to Category 5e/6/6a requirements
- Easy installation using CPI Butt-Splices (P/N 11301-001, not included)



Part Number	Cable Runway Width in (mm)	Width (Dim B) in (mm)
10822-X04	4 (100)	19.1 (485)
10822-X06	6 (150)	21.1 (536)
10822-X08	8 (200)	23.1 (587)
10822-X09	9 (230)	24.1 (612)
10822-X10	10 (250)	25.1 (638)
10822-X12	12 (300)	27.1 (688)
10822-X15	15 (380)	30.1 (765)
10822-X18	19 (460)	33.1 (841)
10822-X20	20 (510)	35.1 (892)
10822-X24	24 (610)	39.1 (993)
10822-X31	30 (760)	45.1 (1146)
10822-X37	36 (910)	51.1 (1298)

X=Color; 0=Gold, 1=Gray, 2=Computer Beige, 7=Black, E=Glacier White.  
 Note: Only gold E-Bends are UL Classified.

800-834-4969 in U.S. & Canada • [www.chatsworth.com](http://www.chatsworth.com)

### US & Canada

+1-800-834-4969  
 Toronto, Ontario, Canada  
 +905-850-7770  
[chatsworth.com](http://chatsworth.com)

### Latin America

+52-55-5203-7525  
 Toll Free within Mexico  
 01-800-01-7592  
[chatsworth.com.co](http://chatsworth.com.co)

### Europe

+44-1628-524-834  
[chatsworthproducts.co.uk](http://chatsworthproducts.co.uk)

### Middle East & Africa

Dubai, UAE  
 +971-4-2602125  
[chatsworthproducts.co.uk](http://chatsworthproducts.co.uk)

### Asia Pacific

+86 21 6880-0266  
[chatsworth.com.cn](http://chatsworth.com.cn)



CHATSWORTH  
 PRODUCTS

[techsupport@chatsworth.com](mailto:techsupport@chatsworth.com)