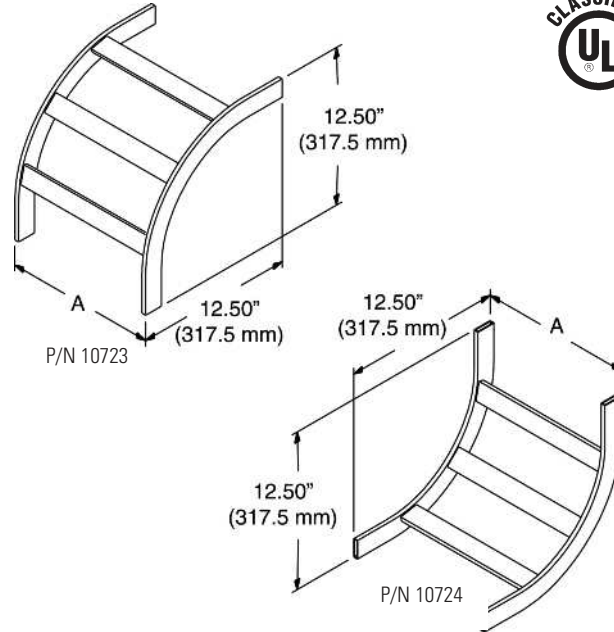


Product Cut Sheet

CABLE RUNWAY RADIUS BEND

Creates a gradual bend for cascading cable runs.

- Made of lightweight 1-1/2" x 3/8" (38.1 mm x 9.53 mm) tubular steel
- Three cross members welded at approximately 23 degree increments
- Outside/Inside is determined by welding cross members closer to cable side



| Part Number | | |
|------------------------|-----------------------|------------------------|
| 90-Degree Outside Bend | 90-Degree Inside Bend | Width (Dim. A) in (mm) |
| 10723-X04 | 10724-X04 | 4 (100) |
| 10723-X06 | 10724-X06 | 6 (150) |
| 10723-X08 | 10724-X08 | 8 (200) |
| 10723-X09 | 10724-X09 | 9 (230) |
| 10723-X10 | 10724-X10 | 10 (250) |
| 10723-X12 | 10724-X12 | 12 (300) |
| 10723-X15 | 10724-X15 | 15 (380) |
| 10723-X18 | 10724-X18 | 18 (460) |
| 10723-X20 | 10724-X20 | 20 (510) |
| 10723-X24 | 10724-X24 | 24 (610) |
| 10723-X31 | 10724-X31 | 30 (760) |
| 10723-X37 | 10724-X37 | 36 (910) |

X=Color: 0=Gold, 1=Gray, 2=Computer Beige, 7=Black, E=Glacier White.
Note: Only gold radius bends are UL Classified.

800-834-4969 in U.S. & Canada • www.chatsworth.com

US & Canada

+1-800-834-4969
Toronto, Ontario, Canada
+905-850-7770
chatsworth.com

Latin America

+52-55-5203-7525
Toll Free within Mexico
01-800-01-7592
chatsworth.com.co

Europe

+44-1628-524-834
chatsworthproducts.co.uk

Middle East & Africa

Dubai, UAE
+971-4-2602125
chatsworthproducts.co.uk

Asia Pacific

+86 21 6880-0266
chatsworth.com.cn



CHATSWORTH
PRODUCTS

techsupport@chatsworth.com