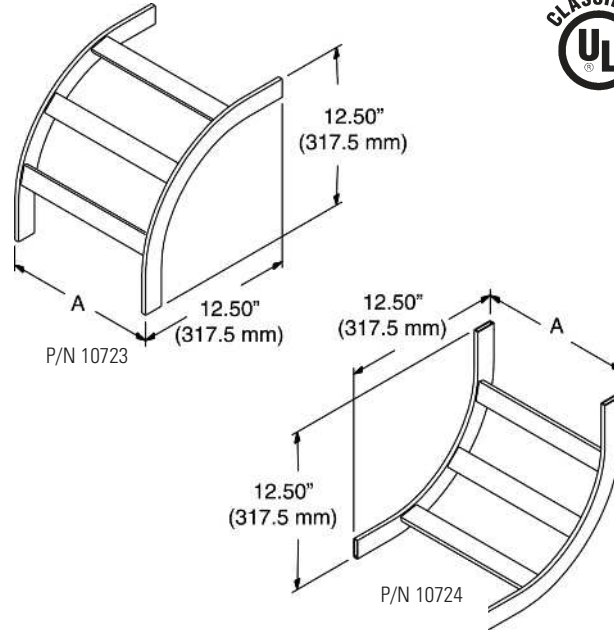


# Product Cut Sheet

## CABLE RUNWAY RADIUS BEND

Creates a gradual bend for cascading cable runs.

- Made of lightweight 1-1/2" x 3/8" (38.1 mm x 9.53 mm) tubular steel
- Three cross members welded at approximately 23 degree increments
- Outside/Inside is determined by welding cross members closer to cable side



Part Number		
90-Degree Outside Bend	90-Degree Inside Bend	Width (Dim. A) in (mm)
10723-X04	10724-X04	4 (100)
10723-X06	10724-X06	6 (150)
10723-X08	10724-X08	8 (200)
10723-X09	10724-X09	9 (230)
10723-X10	10724-X10	10 (250)
10723-X12	10724-X12	12 (300)
10723-X15	10724-X15	15 (380)
10723-X18	10724-X18	18 (460)
10723-X20	10724-X20	20 (510)
10723-X24	10724-X24	24 (610)
10723-X31	10724-X31	30 (760)
10723-X37	10724-X37	36 (910)

X=Color: 0=Gold, 1=Gray, 2=Computer Beige, 7=Black, E=Glacier White.  
 Note: Only gold radius bends are UL Classified.

800-834-4969 in U.S. & Canada • [www.chatsworth.com](http://www.chatsworth.com)

### US & Canada

+1-800-834-4969  
 Toronto, Ontario, Canada  
 +905-850-7770  
[chatsworth.com](http://chatsworth.com)

### Latin America

+52-55-5203-7525  
 Toll Free within Mexico  
 01-800-01-7592  
[chatsworth.com.co](http://chatsworth.com.co)

### Europe

+44-1628-524-834  
[chatsworthproducts.co.uk](http://chatsworthproducts.co.uk)

### Middle East & Africa

Dubai, UAE  
 +971-4-2602125  
[chatsworthproducts.co.uk](http://chatsworthproducts.co.uk)

### Asia Pacific

+86 21 6880-0266  
[chatsworth.com.cn](http://chatsworth.com.cn)



CHATSWORTH  
 PRODUCTS

[techsupport@chatsworth.com](mailto:techsupport@chatsworth.com)