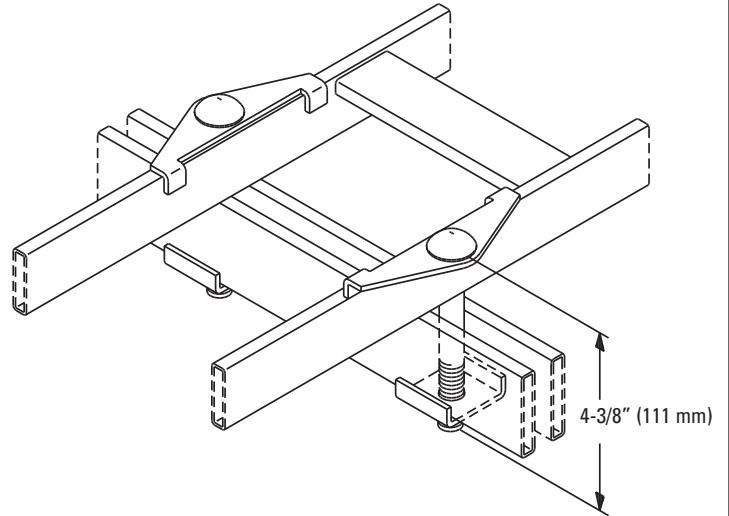


# Product Cut Sheet

## MOUNTING KIT, AUXILIARY FRAMING CHANNEL/RUNWAY

For fastening cable runway to auxiliary framework. Material is steel finished with gold over zinc plating.

- Sold in pairs



Part Number	Description	Shipping Weight
10709-001	For 3/8" x 2" Bar	1 (0.5)
10709-003	For 9/16" x 2" Channel	1 (0.5)
10709-005	For 1" x 2" Channel	1 (0.5)

800-834-4969 in U.S. & Canada • [www.chatsworth.com](http://www.chatsworth.com)



CHATSWORTH PRODUCTS, INC.

©2011 Chatsworth Products, Inc. All rights reserved. CPI, CPI Passive Cooling, MegaFrame, Saf-T-Grip, Seismic Frame, SlimFrame, TeraFrame, Cube-IT Plus, Evolution, OnTrac, and QuadraRack are federally registered trademarks of Chatsworth Products, Inc. GlobalFrame, Simply Efficient and Velocity are trademarks of Chatsworth Products, Inc. All other trademarks belong to their respective companies. 01/11