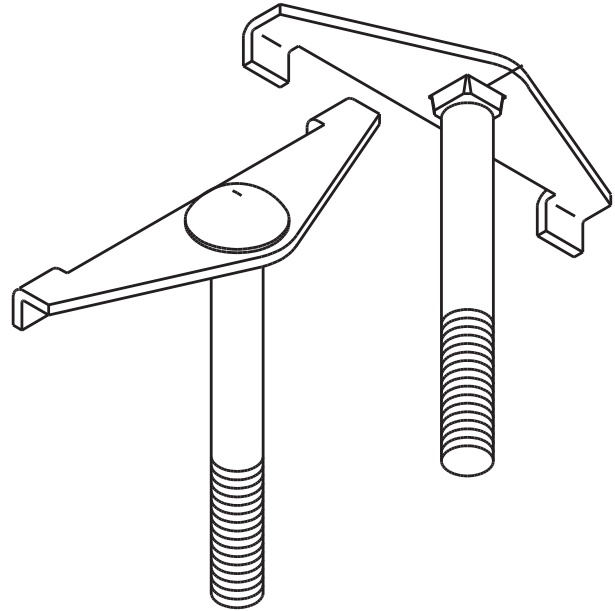


# Product Cut Sheet

## SPANNER BOLT, AUXILIARY FRAME CHANNEL/CABLE RUNWAY

Used to attach cable runway to auxiliary framing.

- Gold over zinc plating
- Sold individually
- Kit consists of:
  - (1) Spanner bolt, 1/2-13 nut
  - (1) 1/2-13 split lock washer



Part Number	Description Nominal Size & Length	Shipping Weight lb (kg)
10702-001	1/2-13 x 4-3/8"	1 (0.5)
10702-002	1/2-13 x 4-7/8"	1 (0.5)

800-834-4969 in U.S. & Canada • [www.chatsworth.com](http://www.chatsworth.com)



CHATSWORTH PRODUCTS, INC.

©2011 Chatsworth Products, Inc. All rights reserved. CPI, CPI Passive Cooling, MegaFrame, Saf-T-Grip, Seismic Frame, SlimFrame, TeraFrame, Cube-IT Plus, Evolution, OnTrac, and QuadraRack are federally registered trademarks of Chatsworth Products, Inc. GlobalFrame, Simply Efficient and Velocity are trademarks of Chatsworth Products, Inc. All other trademarks belong to their respective companies. 01/11