

# Product Information Sheet

## EARTHQUAKE BRACING KIT

### Single Earthquake Bracing Kit

Stabilizes cable runway hung from threaded rods.  
Material is 2" x 3/8" steel with Gold over zinc plating.

- **Kit consists of:**
  - 2 each steel bars (45-degree angle)
  - 4 each 1/2-13 x 1 1/4" hex nuts & cap screws
  - 4 each 1/2" split lock washers
- **Installation will require:**
  - 1 each 2' x 2' x 3/16" steel angle of appropriate length. See P/N 11420. (Angle must be trimmed to proper length and drilled during installation.)

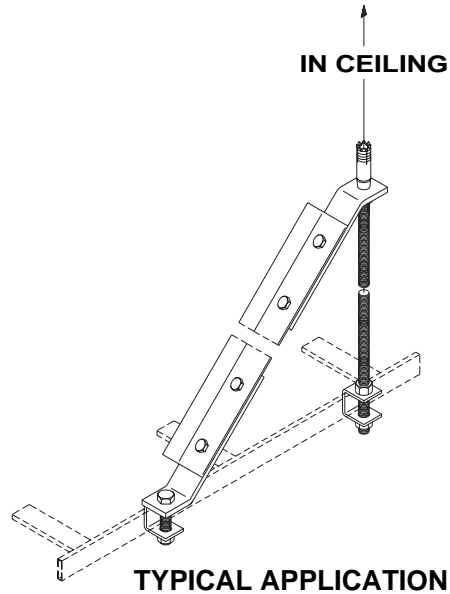
### Double Earthquake Bracing Kit

Stabilizes cable runway hung from threaded rods.  
Material is 2" x 3/8" steel with Gold over zinc plating.

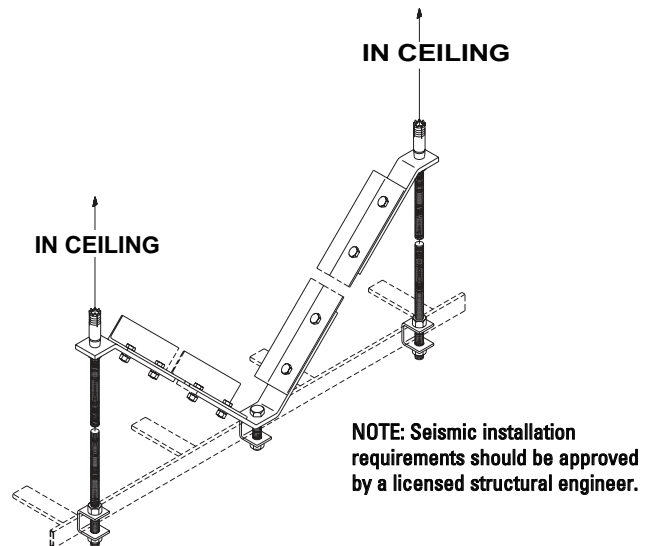
- **Kit consists of:**
  - 2 each steel bars (45-degree angle)
  - 1 each "V" steel bar
  - 8 each 1/2-13 x 1 1/4" hex cap screws
  - 8 each 1/2-13 hex nuts
  - 8 each 1/2" split lock washers
- **Installation will require:**
  - 2 each 2' x 2' x 3/16" steel angle of appropriate length. See P/N 11420. (Angle must be trimmed to proper length and drilled during installation)

### NOTE: Installation for both kits may require:

- **For concrete ceiling:**
  - 5/8-11 concrete anchors (P/N 06001-001)
  - 5/8-11 x 3 1/2" studs (P/N 20068-304)
  - 5/8-11 hex nuts (P/N 20142-111)
  - 5/8" split lock washers (P/N 04003-001)
- **For secondary structure:**
  - 5/8-11 threaded rods of appropriate length. See P/N 11440 (Rod must be trimmed by installer)
  - Grid Clamp Kits (P/N 10609)
  - 5/8-11 hex cap screws of appropriate length (P/N 02004 Series)
  - 5/8-11 hex nuts (P/N 20142-111)
  - 5/8" split lock washers (04003-001)



Part Number	Description	Shipping Weight
10695-001	Single Earthquake Brace	8 lb



Part Number	Description	Shipping Weight
10696-001	Double Earthquake Brace	14 lb

800-834-4969 in US & Canada • www.chatsworth.com