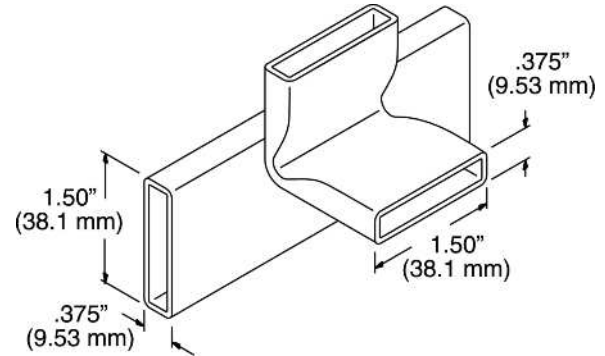


# Product Cut Sheet

## TROUGH CABLE RUNWAY

Features rubber-capped vertical members on both sides which form a trough to accommodate larger cable runs. Wall is .065" (1.65 mm) thick.

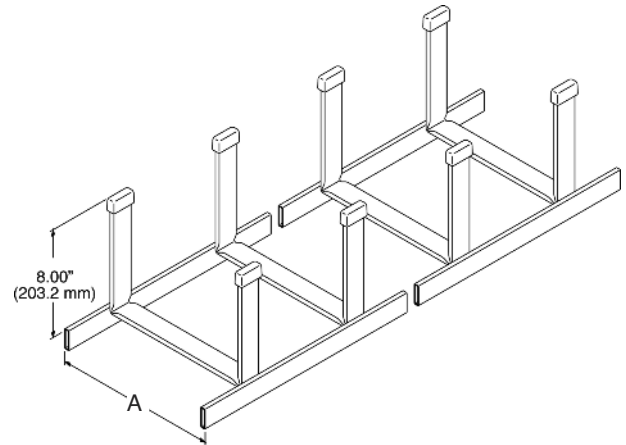
- Use with heavy-duty splice kits (11299-001, 11298-001)



| 9' 11-1/2" L/119.5" (3035 mm), 12" (300 mm)<br>Spacing Between Cross Members |                           |
|--|---------------------------|
| Part Number  | Width (Dim. A)<br>in (mm) |
| 10692-X09  | 9 (230)                   |
| 10692-110  | 10 (250)                  |
| 10692-X12  | 12 (300)                  |
| 10692-X15  | 15 (380)                  |
| 10692-X18  | 18 (460)                  |

| Part Number | Width (Dim. A)<br>in (mm) |
|-------------|---------------------------|
| 10693-X09   | 9 (230)                   |
| 10693-110   | 10 (250)                  |
| 10693-X12   | 12 (300)                  |
| 10693-X15   | 15 (380)                  |
| 10693-X18   | 18 (460)                  |

X=color: 1=Gray, 2=Computer Beige, 7=Black, E=Glacier White.



Note: When using P/N 10693 select a radius drop that is less than 7.5"W (191 mm) such as P/N 12101-X03.

800-834-4969 in U.S. & Canada • [www.chatsworth.com](http://www.chatsworth.com)



CHATSWORTH PRODUCTS

©2013 Chatsworth Products, Inc. All rights reserved. CPI, CPI Passive Cooling, GlobalFrame, MegaFrame, Saf-T-Grip, Seismic Frame, SlimFrame, TeraFrame, Cube-IT Plus, Evolution, OnTrac, Velocity and QuadraRack are federally registered trademarks of Chatsworth Products. eConnect and Simply Efficient are trademarks of Chatsworth Products. All other trademarks belong to their respective companies. 6/13