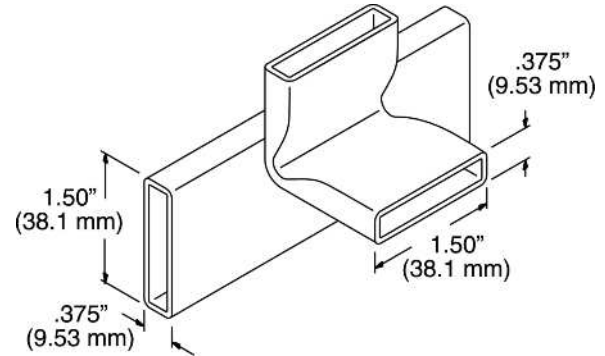


Product Cut Sheet

TROUGH CABLE RUNWAY

Features rubber-capped vertical members on both sides which form a trough to accommodate larger cable runs. Wall is .065" (1.65 mm) thick.

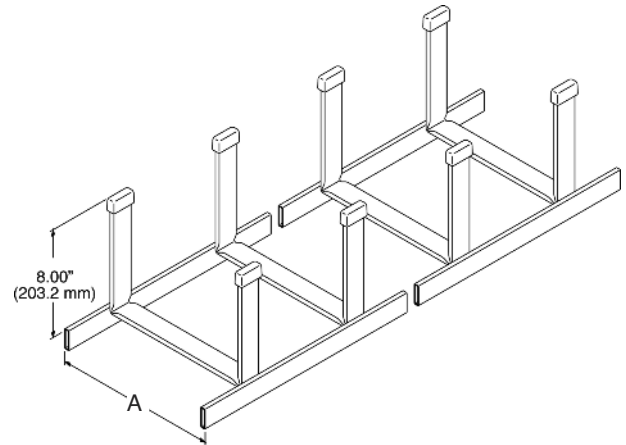
- Use with heavy-duty splice kits (11299-001, 11298-001)



9' 11-1/2" L/119.5" (3035 mm), 12" (300 mm) Spacing Between Cross Members	
Part Number	Width (Dim. A) in (mm)
10692-X09	9 (230)
10692-110	10 (250)
10692-X12	12 (300)
10692-X15	15 (380)
10692-X18	18 (460)

Part Number	Width (Dim. A) in (mm)
10693-X09	9 (230)
10693-110	10 (250)
10693-X12	12 (300)
10693-X15	15 (380)
10693-X18	18 (460)

X=color: 1=Gray, 2=Computer Beige, 7=Black, E=Glacier White.



Note: When using P/N 10693 select a radius drop that is less than 7.5"W (191 mm) such as P/N 12101-X03.

800-834-4969 in U.S. & Canada • www.chatsworth.com



©2013 Chatsworth Products, Inc. All rights reserved. CPI, CPI Passive Cooling, GlobalFrame, MegaFrame, Saf-T-Grip, Seismic Frame, SlimFrame, TeraFrame, Cube-IT Plus, Evolution, OnTrac, Velocity and QuadraRack are federally registered trademarks of Chatsworth Products. eConnect and Simply Efficient are trademarks of Chatsworth Products. All other trademarks belong to their respective companies. 6/13