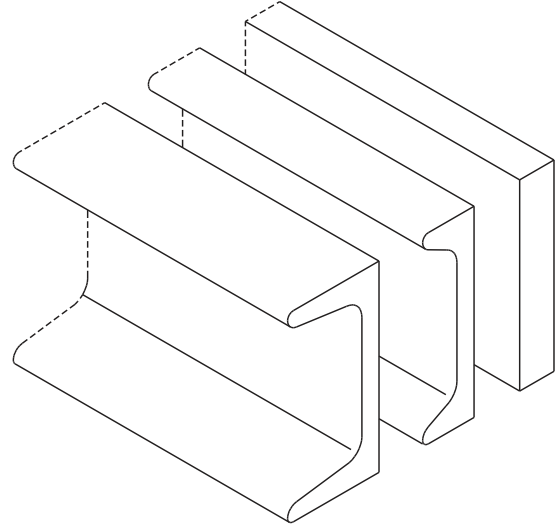


Product Cut Sheet

AUXILIARY FRAMING CHANNEL, CABLE RUNWAY

- Steel channel or bar commonly used as auxiliary framing for cable runways
- Available in gray, computer beige and black



Part Number	Description	Shipping Weight lb (kg)
11450-X01	1" x 2" x 3/16" Channel, 10'L (3 m)	24 (10.9)
10628-X02	9/16" x 2" x 3/16" Channel, 10'L (3 m)	17 (7.7)
10745-X06	3/8" x 2" Bar, 6'L (1.8 m)	14 (6.4)

X=color: 1=Gray, 2=Computer Beige, 7=Black

800-834-4969 in U.S. & Canada • www.chatsworth.com