

# Product Information Sheet

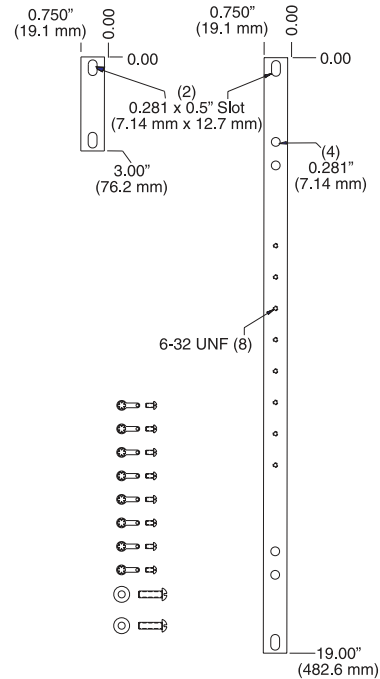
## HORIZONTAL RACK BUSBAR

Horizontal Rack Busbar for consolidating equipment grounds. Constructed of 3/16"-thick x 3/4"H (4.763 mm x 19.1 mm) hard-drawn electrolytic tough pitch 110 alloy copper bar with eight #6-32 tapped lug mounting holes on 1" (25.4 mm) centers and two pairs of 5/16" (7.938 mm) diameter holes spaced 3/4" (19.1 mm) apart for attaching ground jumpers.

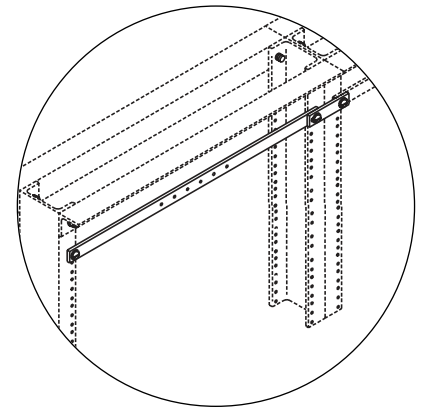
- Other configurations available on request
- UL Listed

**Part number consists of Busbar and a hardware kit that includes:**

- (1) splice plate bar, 3"L (80 mm)
- (2) #12-24 copper machine screws
- (2) #12 copper flat washers
- (8) #6-32 copper machine screws
- (8) #6 ring terminals



19" rack width Busbar shown



| Horizontal Rack Busbar |                                    |                 |
|------------------------|------------------------------------|-----------------|
| Part Number            | Description                        | Shipping Weight |
| 10610-019              | Horizontal Rack Busbar, 19" W Rack | 2 lb            |
| 10610-023              | Horizontal Rack Busbar, 23" W Rack | 3 lb            |
| 10610-035              | Horizontal Rack Busbar, 35" W Rack | 4 lb            |

800-834-4969 in U.S. & Canada • [www.chatsworth.com](http://www.chatsworth.com)



CHATSWORTH PRODUCTS, INC.

©2008 Chatsworth Products, Inc. All rights reserved. CPI, Saf-T-Grip, Seismic Frame, SlimFrame and MegaFrame are federally registered trademarks of Chatsworth Products, Inc. CPI Passive Cooling, Cube-iT Plus, TeraFrame, Thinline II and QuadraRack are trademarks of Chatsworth Products, Inc. All other trademarks belong to their respective companies.